

TEAC

SERVICE MANUAL

MC-DX33

Micro Hi-Fi system



NOTES

- PC board shown are viewed from parts side.
- The parts with no reference number or no parts number in the exploded views are not supplied.
- As regards the resistors and capacitors, refer to the circuit diagrams contained in this manual.
- ⚠ Parts marked with this sign are safety critical components. they must be replaced with identical components - refer to the appropriate parts list and ensure exact replacement.

CONTENTS

1 SAFETY INFORMATION	2
2 SPECIFICATIONS	3
3 ADJUSTMENT AND CHECK	4
4 EXPLODED VIEW AND PARTS LIST	6
5 PC BOARDS AND PARTS LIST	11
6 WIRING DIAGRAM	24
7 INCLUDED ACCESSORIES	27

MC-DX33

1 SAFETY INFORMATION

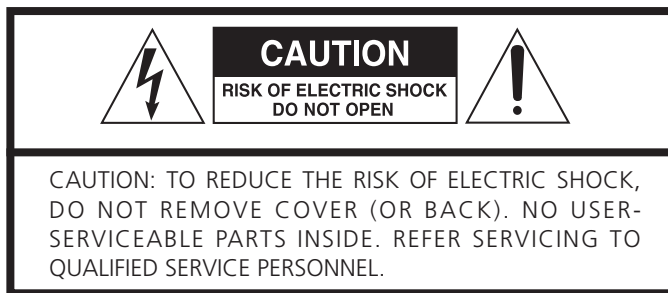
SAFETY INFORMATION

• **CAUTION**

USE OF CONTROLS OR ADJUSTMENT OR PERFORMANCE OF PROCEDURES OTHER THAN THOSE SPECIFIED HEREIN MAY RESULT IN HAZARDOUS RADIATION EXPOSURE.

DO NOT REMOVE THE PROTECTIVE HOUSING USING SCREWDRIVER.

IF THIS PRODUCT DEVELOPS TROUBLE, MAKE A CONTACT WITH OUR SERVICEMAN, AND DO NOT USE THE PRODUCT A TROUBLED STATE.



The lightning flash with arrowhead symbol, within an equilateral triangle, is intended to alert the user to the presence of uninsulated "dangerous voltage" within the product's enclosure that may be of sufficient magnitude to constitute a risk of electric shock to persons.



The exclamation point within an equilateral triangle is intended to alert the user to the presence of important operating and maintenance (servicing) instructions in the literature accompanying the appliance.

Optical pickup:
Type : DA23Z1
Manufacturer : SANYO ELECTRIC CO.,LTD.
Laser output : Less than 0.5mW on the objective lens
Wavelength : 760-800nm

2 SPECIFICATIONS

Amplifier Section

Output Power (L+R)	5 W + 5 W
Output Power (Subwoofer)	15 W
Input Sensitivity	300 mV
Frequency Response	50 to 20,000 Hz
TUNER Section (FM)	
Frequency Range	87.50 to 108.00 MHz
Sensitivity (S/N30dB)	20 dB μ V/m
TUNER Section (AM)	
Frequency Range	522 to 1,620 kHz
Sensitivity (S/N20dB)	54 dB μ V/m

CD PLAYER Section

Frequency Response	20 to 20,000 Hz (± 1 dB)
Signal-to-Noise Ratio	55 dB
Wow and Flutter	Unmeasurable

SPEAKER

Type	Full range flat type
Impedance	4 ohms

SUBWOOFER

Impedance	8 ohms
-----------	--------

GENERAL

Power Requirements	230 V AC, 50 Hz
Power Consumption	60 W
Standby Power Consumption:	2.5 W
Dimension (W x H x D)	
Main Unit	255 x 169.5 x 84 mm
L & R Speakers	210 x 169.5 x 81 mm
Subwoofer	160 x 245 x 335 mm
Weight (Net)	
Main Unit	1.3 kg
L & R Speakers	0.7 kg each
Subwoofer	5.3 kg

Standard Accessories

Remote control unit (RC-1174) x 1
Battery for remote control unit x 1
Subwoofer cable x 1
Speaker cable x 2
FM antenna x 1
AM antenna x 1
Stereo mini plug cable x 1
Wall mount brackets x 4
Screw (short) x 8
Screw (long) x 4
Tapered plastic wall anchor x 4
Guide sheet for wall mounting x 2
Owner's manual x 1
Quick guide for connection x 1
Warranty card x 1

- Design and specifications are subject to change without notice.
- Weight and dimensions are approximate.
- Illustrations may differ slightly from production models.

MC-DX33

3 ADJUSTMENTS AND CHECKS

ALIGNMENT PROCEDURES

AM I.F. ALIGNMENT

1. Set the POWER BUTTON to POWER "ON".
2. Set the Radio and band button to Radio and AM BAND.
3. Connect a SWEEPSCOPE OUTPUT to AM antenna terminal.
4. Connect a SWEEPSCOPE INPUT to pin17 of IC2 through a 1uf capacitor and ground.

STEP	SET SIGNAL	SET DIAL	ADJUST	ADJUST FOR
1	450KHz	GANG OPEN	T203(AM IF)	CENTER &MAXIMUM OUTPUT

AM R.F. ALIGNMENT

1. Connect an RF generator to a standard radiating loop.
2. Connect a SCOPE and VTVM across the speaker output.

STEP	SET SIGNAL	SET DIAL	ADJUST	ADJUST FOR
1	522KHz	GANG CLOSED	T206 (AM OSC COIL)	MAXIMUM OUTPUT
2	600KHz	600KHz	T204 (AM SENS COIL)	
3	1400KHz	1400KHz	SVC202 (AM SENS TRIM.)	
4	REPEAT STEPS 3 AND 4 TO OBTAIN BEST TRACKING.			

FM I.F. ALIGNMENT

1. Set the POWER BUTTON to POWER "ON".
2. Set the TUNER/BAND Switch to FM position.
3. Connect a SWEEPSCOPE OUTPUT to pin 7 of IC1 through a 20pF capacitor and ground.
4. Connect a SWEEPSCOPE INPUT to pin18 of IC2 through a 1uf capacitor and ground.

STEP	SET SIGNAL	SET DIAL	ADJUST	ADJUST FOR
1	10.7MHz	GAND OPEN	IFT	WITH 10.7MHz AT ZERO CROSSOVER

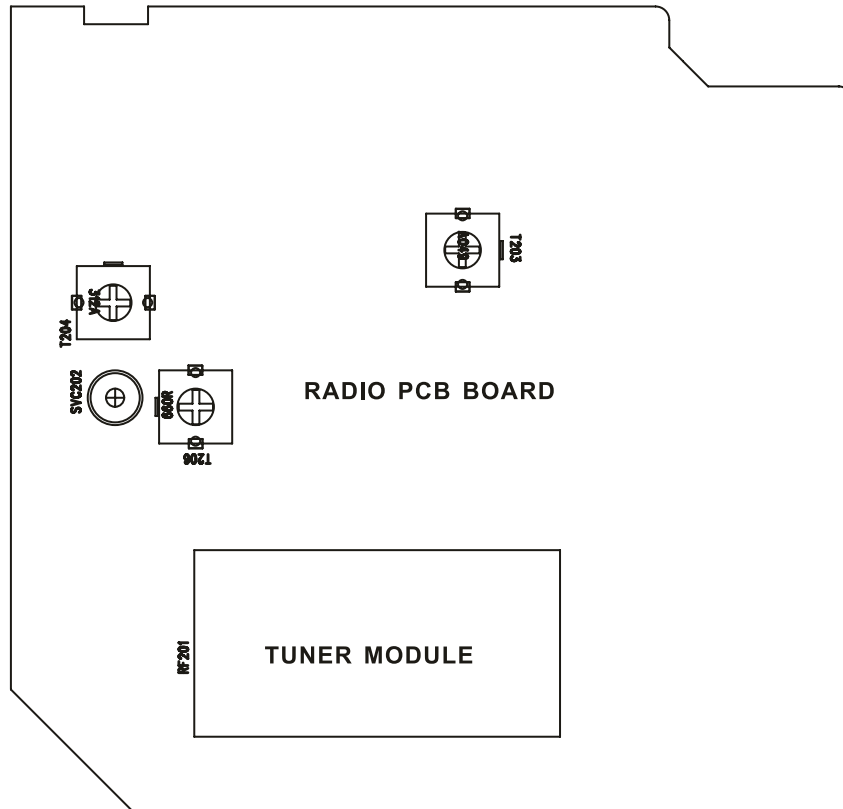
FM R.F. ALIGNMENT

1. Connect an RF generator to the FM antenna terminal and ground.
2. Connect a SCOPE & VTVM across the speaker output.

STEP	SET SIGNAL	SET DIAL	ADJUST	ADJUST FOR
1	87.5MHz	GANG CLOSED	L2	MAXIMUM OUTPUT
2	90MHz	90MHz	L5	
3	106MHz	106MHz	L3	

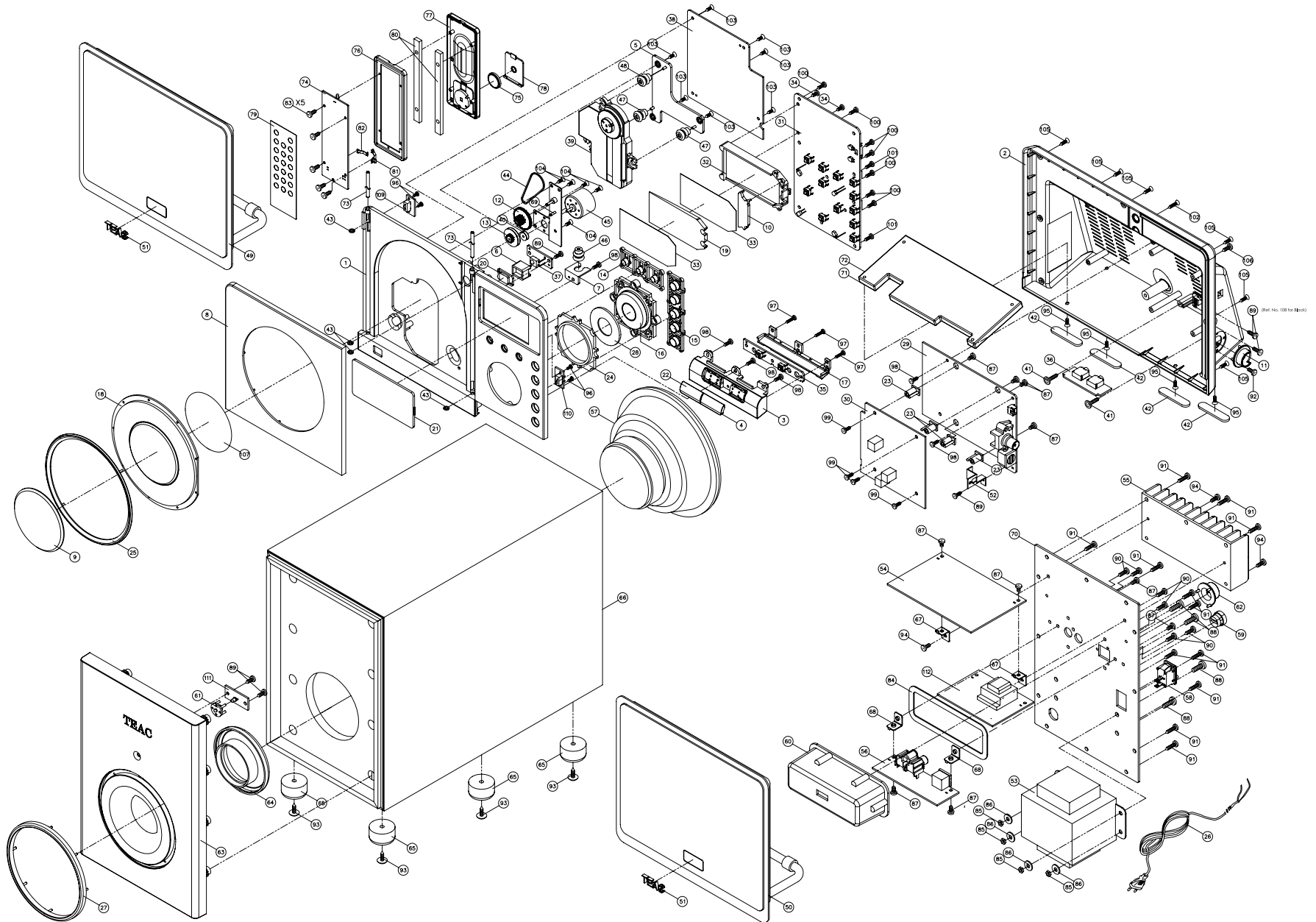
CD ALIGNMENT

Auto alignment.



MC-DX33

4 EXPLODED VIEWS AND PARTS LIST



EXPLODED VIEW PARTS LIST

REF.NO	PARTS NO.	DESCRIPTION	REMARK
1-1	56-04DX2200B070	FRONT CABINET (BLK)	
	56-04DX2200A040	FRONT CABINET (SILVER)	
1-2	56-05DX2200B010	REAR CABINET (BLK)	
	56-05DX2200A010	REAR CABINET (SILVER)	
1-3	56-07DX3300B010	VOLUME BOTTOM HOLDER (BLK)	
	56-07DX3300A000	VOLUME BOTTOM HOLDER (SILVER)	
1-4	56-07DX3302B010	VOLUME COVER -R (BLK)	
	56-07DX3300A010	VOLUME COVER -R (SILVER)	
1-5	56-07DX22039000	CD DESK BKT	
1-6	56-07DX2214B000	REMOTE BKT (BLK)	
	56-07DX22108000	REMOTE BKT (SILVER)	
1-7	56-07DX2215B000	SHOCK ABSORBER BRACKET (BLK)	
	56-07DX22118000	SHOCK ABSORBER BRACKET (SILVER)	
1-8	56-14DX2200B010	CD DOOR (BLK)	
	56-14DX2200A010	CD DOOR (SILVER)	
1-9	61-68CD10100020	CD ALUM COVER	
1-10	56-22DX2211B000	LED LEW COVER (BLK)	
	56-22DX22108000	LED LEW COVER (SILVER)	
1-11	56-22DX2212B000	PROTECT COVER (BLK)	
	56-22DX2210A000	PROTECT COVER (SILVER)	
1-12	56-24DX01500000	CD DOOR GEAR	
1-13	56-24DX01510000	STRAP GEAR	
1-14	56-54DX2210B000	FUNCTION KNOB GROUP-1 (BLK)	
	56-54DX2210A000	FUNCTION KNOB GROUP-1 (SILVER)	
1-15	56-54DX2211B010	FUNCTION KNOB GROUP-2 (BLK)	
	56-54DX2211A010	FUNCTION KNOB GROUP-2 (SILVER)	
1-16	56-54DX2211B000	PLAY KNOB GRUP (BLK)	
	56-54DX2212A000	PLAY KNOB GRUP (SILVER)	
1-17	56-07DX3301B000	VOLUME BOTTOM HOLDER PLATE (BLK)	
	56-07DX3301A000	VOLUME BOTTOM HOLDER PLATE (SILVER)	
1-18	56-57DX22100000	CD DOOR LENS	
1-19	56-57DX22010000	BLACKLIGHT LENS	
1-20	56-57DX22022000	REMOTE LENS	
1-21	56-57DX22030010	DISPLAY LENS	
1-22	56-07DX3303B010	VOLUME COVER-L (BLK)	
	56-07DX3301A010	VOLUME COVER-L (SILVER)	
1-23	56-67DX22009000	PCB BRACKET	
1-24	56-78DX22009000	SHINE RING	
1-25	56-78DX2200G000	CD DOOR RING	
1-26	△ 45-114200500062	AC CORD UDE APP 2M (M.T) (BLK)	
1-27	56-78CDX092G000	CHROME RING -SUBWOOFER BOX	
1-28	61-30DX22100020	KNOB COVER	
1-29	05-DX33S0100000	PCBA-MAIN	
1-30	05-DX33S0200000	PCBA-TUNER	
1-31	05-DX33S0400000	PCBA-DISPLAY	
1-32	56-07DX22029000	BACKLIGHT BKT	
1-33	57-26DX22000020	FILTER SHEET 76X37.5X0.3MM	
1-34	66-140326180321	SELF-TAPPING SCREW TA/PH 2.6X8MM	
1-35	05-DX33S1900000	PCBA-VOLUME	
1-36	05-DX33S0900000	PCBA-HP	

MC-DX33

EXPLODED VIEW PARTS LIST

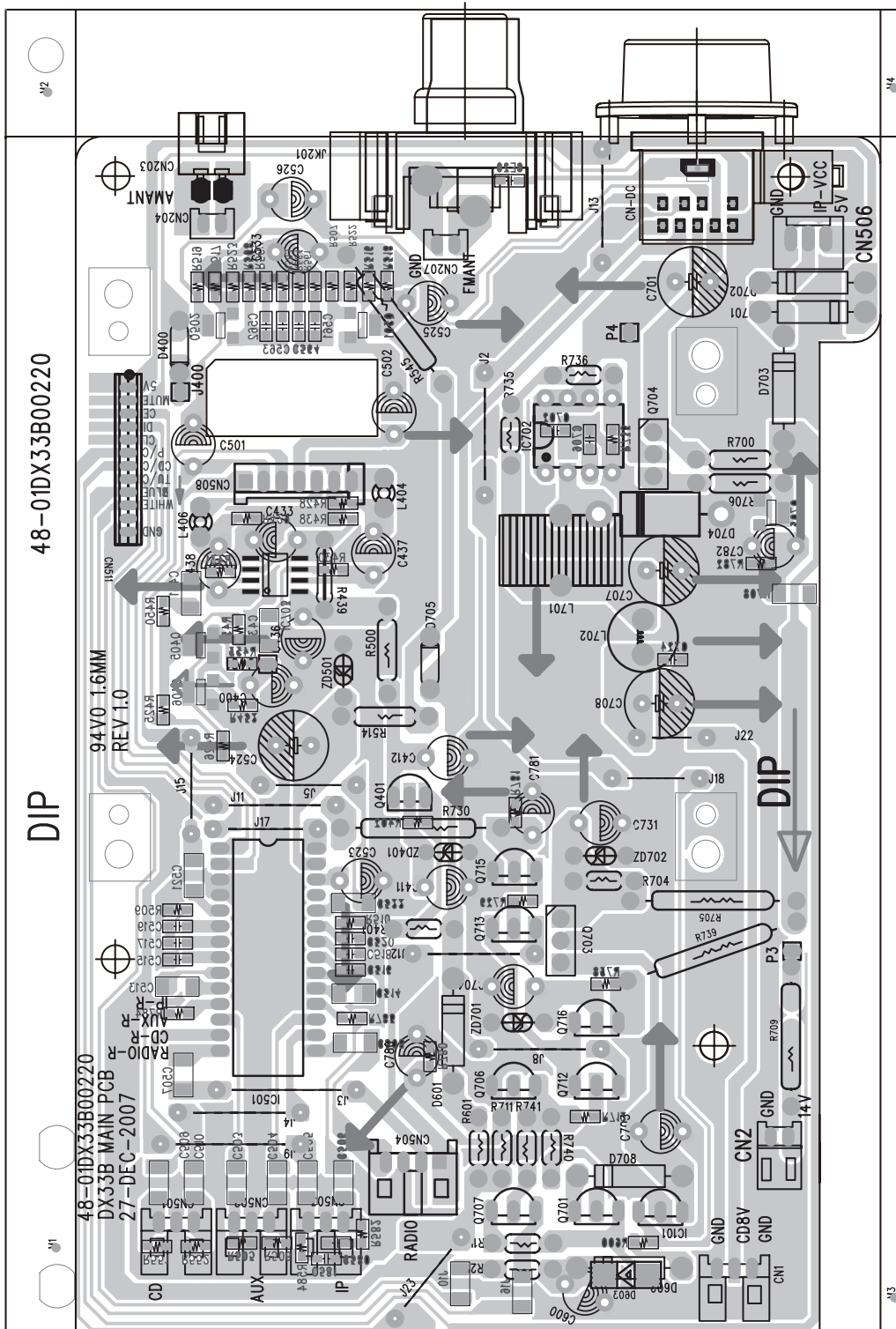
REF.NO	PARTS NO.	DESCRIPTION	REMARK
1-37	05-DX33S2700000	PCBA-SENSOR	
1-38	05-DX33S3000000	PCBA-CD	
1-39	20-70DA23Z10000	CD MECHANISM (SANYO) DA23Z1	
1-40	56-760000000020	DOOR MOTOR PULLY	
1-41	66-141430216121	SCREW TA/BWH 3X16MM(HEAD 10MM) (BLK)	
1-42	58-26DX22000020	RUBBER FOOT39X9X3MM	
1-43	58-26DX22010020	RUBBER RING DIA 5.4X3X0.8MM	
1-44	58-43DX01500020	DRIVE BELT DIA31X1MM	
1-45	58-44CD10100020	DC MOTOR 5V	
1-46	58-61EX0M108120	SHOCK ABSORBER (GREY)	
1-47	58-61MC23500020	SHOCK ABSORBER (GREY)	
1-48	58-61MC23500120	SHOCK ABSORBER (BLACK)	
1-49	19-50DX22010220	SPEAKER BOX UNIT-L	
1-50	19-50DX22010320	SPEAKER BOX UNIT-R	
1-51	56-58EXM5M0A000	LOGO BADGE	
1-52	61-11CDX0900020	DS MTEAL PLATE	
1-53	△ 18-205DX0150120	H/TRANSFORMER EI66 230V/50Hz TG0000700	
1-54	△ 05-DX33S0700000	PCBA-SSUB. POWER	
1-55	61-48DX01500020	HEATSINK A	
1-56	05-DX33S0800000	PCBA-RCA/D-S JACK	
1-57	19-021153300120	SPEAKER 5.25" 8OHM 30W	
1-58	41-172111000310	SWITCH, POWER	
1-59	43-500000002020	AC CORD BUSHING	
1-60	56-22CDX0908000	PCB COVER	
1-61	56-57CDX0936000	LIGHT LENS -SUBWOOFER BOX	
1-62	56-78CD1010B000	SAFEGUARD RING/SUB	
1-63	56-85CDX090B010	SUBWOOFER PANEL (BLK)	
	56-85CDX090A020	SUBWOOFER PANEL (SILVER)	
1-64	56-87CDX0908000	PLASTIC TUBE	
1-65	58-263253150020	RUBBER FOOT	
1-66	58-73DX01500121	SUBWOOFER BOX	
1-67	61-11V600000020	PCB BRACKET	
1-68	61-11V820010020	PCB FIX BRACKET	
1-69	61-11DX01500321	MOTOR BRACKET	
1-70	61-33DX33S000021	SUB.REAR PANEL	
1-71	61-11DX22000122	WEIGHT STEEL 1 159X67.5X4MM	
1-72	61-11DX22000222	WEIGHT STEEL 1 159X67.5X2MM	
1-73	61-80DX01500020	FERRUM SHAFT 155X3MM	
1-74	05-DX33S1300000	PCBA-RC "MCDX33S"	
1-75	51-021301000080	LITHIUM BATTERY	
1-76	56-43DX0150A010	REMOTE FRONT CABINET (SILVER)	
1-77	56-43DX0151B010	REMOTE REAR CABINET (BLK)	
1-78	56-44DX0150B010	REMOTE BATTERY DOOR (BLK)	
1-79	57-33DX33S000020	REMOTE PLATE RC-1174 (SILVER)	
1-80	61-11DX01500220	REMOTE AGGRAVATE FERRUM	
1-81	61-25DX01500021	BATTERY PLATE (+)	
1-82	61-25DX01500120	BATTERY PLATE (-)	
1-83	66-140520170121	SELF-TAPPING SCREW TA/KH 2X7MM(BLK)	
1-84	58-58DX01500320	CUSHION (EVA) 106x40x1MM	
1-85	67-021400000020	NUT M4MM	
1-86	68-112403101000	METAL WASHER 4X10X1MM	

EXPLODED VIEW PARTS LIST

REF.NO	PARTS NO.	DESCRIPTION	REMARK
1-87	66-120230160121	MACHINE SCREW MS/BH 3X6MM (BLK)	
1-88	66-120240212121	MACHINE SCREW MS/BH 4x12MM (BLK)	
1-89	66-140230210321	SELF-TAPPING SCREW TA/BH 3X10MM	
1-90	66-140230212121	SELF-TAPPING SCREW TA/BH 3X12MM (BLK)	
1-91	66-140230214121	SELF-TAPPING SCREW TA/BH 3X14MM (BLK)	
1-92	66-120330160121	MACHINE SCREW MS/BH 3X6mm (BLK)	
	66-120330160321	MACHINE SCREW MS/BH 3X6mm (SLV)	
1-93	66-141430214121	SCREW TA/BWH 4X14MM(HEAD 10MM) (BLK)	
1-94	66-150230180123	HARDEN SCREW BTTB 3X8MM AB (BLK)	
1-95	66-120526210321	MACHINE SCREW MS/KH 2.6X10mm (H:5mm)	
1-96	66-140220150121	SELF-TAPPING SCREW TA/BH 2X5MM (BLK)	
1-97	66-140226212311	SELF-TAPPING SCREW TA/BH 2.6X12MM (BLK)	
	66-140226212321	SELF-TAPPING SCREW TA/BH 2.6x12mm (SLV)	
1-98	66-140230180321	SELF-TAPPING SCREW TA/BH 3X8MM	
1-99	66-140330180321	SELF-TAPPING SCREW TA/PH 3X8MM	
1-100	66-140330210321	SELF-TAPPING SCREW TA/PH 3X10MM	
1-101	66-140330212321	SELF-TAPPING SCREW TA/PH 3X12MM	
1-102	66-140330212121	SELF-TAPPING SCREW TA/PH 3X12MM (BLK)	
	66-140330214321	SELF-TAPPING SCREW TA/PH 3X13MM (SLV)	
1-103	66-140526180311	SELF-TAPPING SCREW TA/KH 2.6X8MM	
1-104	66-140526180321	SELF-TAPPING SCREW TA/KH 2.6X8MM (4KA BLK)	
	66-140226180321	SELF-TAPPING SCREW TA/BH 2.6x8mm (4KA SLV)	
1-105	66-140523212121	SELF-TAPPING SCREW TA/KH 3X12MM (BLK)	
	66-140530212321	SELF-TAPPING SCREW TA/KH 3X12MM (SLV)	
1-106	66-150530210121	SELF-TAPPING SCREW TB/KH 3X10MM (BLK)	
	66-150530210321	SELF-TAPPING SCREW TB/KH 3X10MM (SLV)	
1-107	57-08DX01500020	CD DOOR PVC PLATE	
1-108	66-140230210121	SELF-TAPPING SCREW TA/BH 3X10MM(BLK)	
1-109		SWITCH PCB 2 ASSY CLOSE.....	Included in REF. NO. 1-38 PCBA-CD, Refer to page 12/14/15
1-110		SWITCH PCB 1 ASSY OPEN.....	Included in REF. NO. 1-38 PCBA-CD, Refer to page 12/14/15
1-111		LED PCB ASSY.....	Refer to page 20/21
1-112	05-DX33S0300000	PCBA-STANDBY	

MC-DX33

MAIN PCB



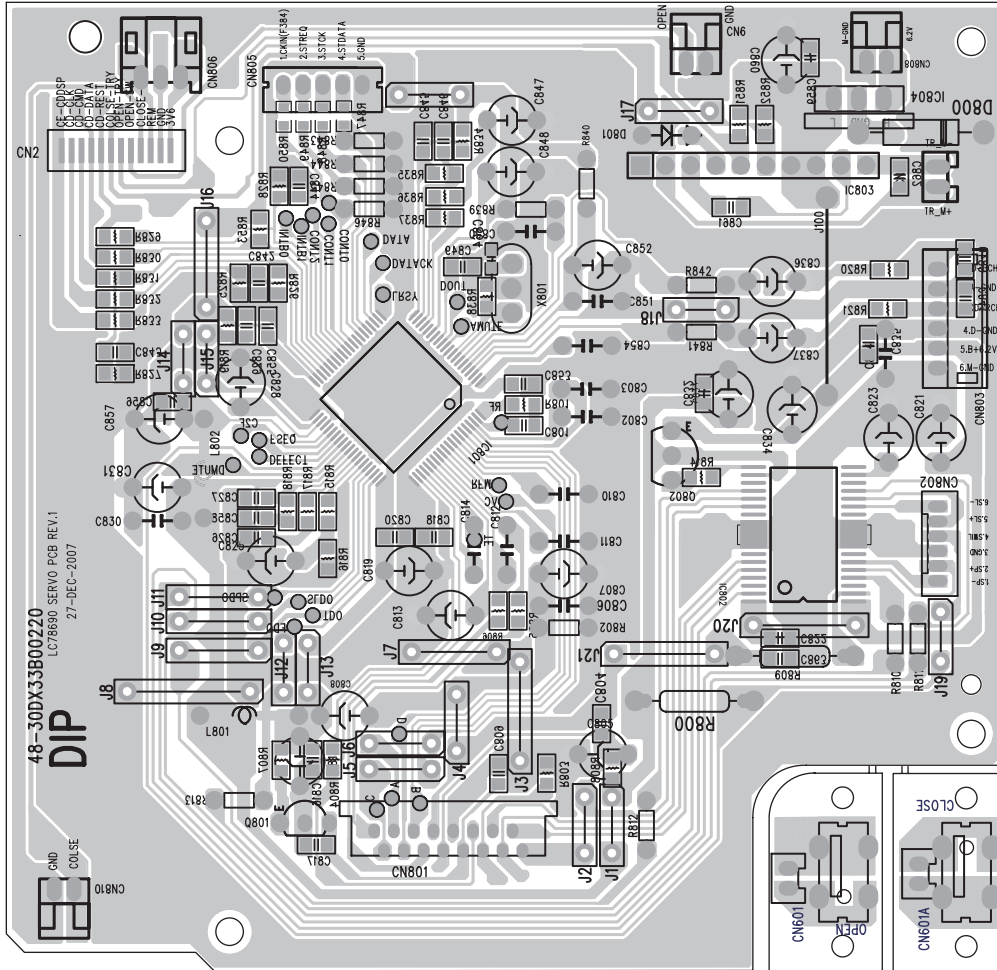
5 PC BOARDS AND PARTS LIST

MAIN PCB ASSY

REF.NO	PARTS NO.	DESCRIPTION	REMARKS
	05-DX33S0100000	MAIN PCBA	
	48-01DX33B00220	MAIN PCB 94HB 137x92x1.6mm	
CN1,2	43-022200130120	WAFER 2mm 3P 90C	
CN203	43-022250120221	WAFER 2.5mm 2P 90C (BLACK)	
CN204	44-535316052520	2P RAINBOW WIRE 160mm HSG+TML(2) AA	
CN207	44-555260052621	2P COAXIAL CABLE L=60mm HSG+TML(2) AA	
CN501,502	43-022200130120	WAFER 2mm 3P 90C	
CN504	43-022200140120	WAFER 2mm 4P 90C	
CN508	43-022200170120	WAFER 2mm 7P 90C	
CN511	43-022150212120	WAFER 12P 1.5mm 90C	
CN-DC	43-462103003321	D-S TERMINAL #DSW-31 R1	
D701,702,703,704	12-RL2020000021	RECTIFIER DIODE RL-202 2A 100V	
D708	12-1N40010000P1	RECTIFIER DIODE 1N4001 (T=52mm)	
D400,705	12-1N4148000125	DIODE 1N4148 (T=52mm)	
D603	12-SS1400000025	SMD DIODE SS14 SMA/DO-214AC	
D601	12-1N5819000021	RECTIFIER DIODE 1N5819	
IC101	16-GY6550000021	MCU GY655 GENNY (80PIN QFP80)	
IC501	16-LC7534200021	IC (SANYO) LC75342-E DIP30SD	
IC703	16-SC1308000021	IC (LIBERAL) SC1308-01	
L401,402,405	38-013100050120	AXIAL INDUCTOR 10UH +-10% 350mA EC-24	
L403	32-031351600025	FERRITE BEAD 3.5x6x0.8TB (TAPING)	
L404,406	38-013100050120	AXIAL INDUCTOR 10UH +-10% 350mA EC-24	
JK201	43-421000003210	COAXIAL JACK IF-01A	
Q401,Q716	11-8050C0000025	TRANSISTORS 2W 8050C (TAPING)	
Q405,406	11-MMBT39040221	SMD TRANSISTORS MMBT3904 SOT23	
Q501	11-MMBT39040221	SMD TRANSISTORS MMBT3904 SOT23	
Q502	11-MMBT39040221	SMD TRANSISTORS MMBT3904 SOT23	
Q701,707	11-9015C0000021	PNP TRANSISTORS 9015C	
Q703	16-KA7808000021	IC (SAMSUNG) KA7808E (TO-220)	
Q704	11-KSB772YS0021	TRANSISTORS KSB772YS (SAMSUNG)	
Q705	11-MMBT39040221	SMD TRANSISTORS MMBT3904 SOT23	
Q706,715	11-9014C0000025	NPN TRANSISTORS 9014C (TAPING)	
Q712,713	11-ST8550C00026	TRANSISTOR ST8550C (TSK) TAPING TO-92	
ZD401	12-011470320125	ZENER DIODE +-5% 4.7V 1/2W (T=52mm)	
ZD501	12-011680320125	ZENER DIODE +-5% 6.8V 1/2W (T=52mm)	
ZD701	12-012110320125	ZENER DIODE +-5% 11V 1/2W (T=52mm)	

MC-DX33

CD PCB

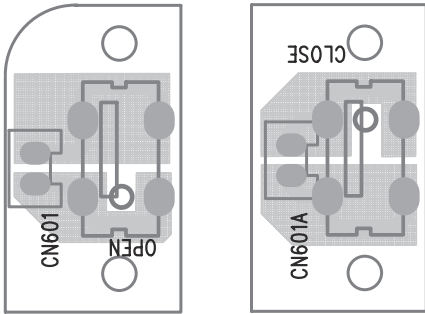


CD PCB ASSY

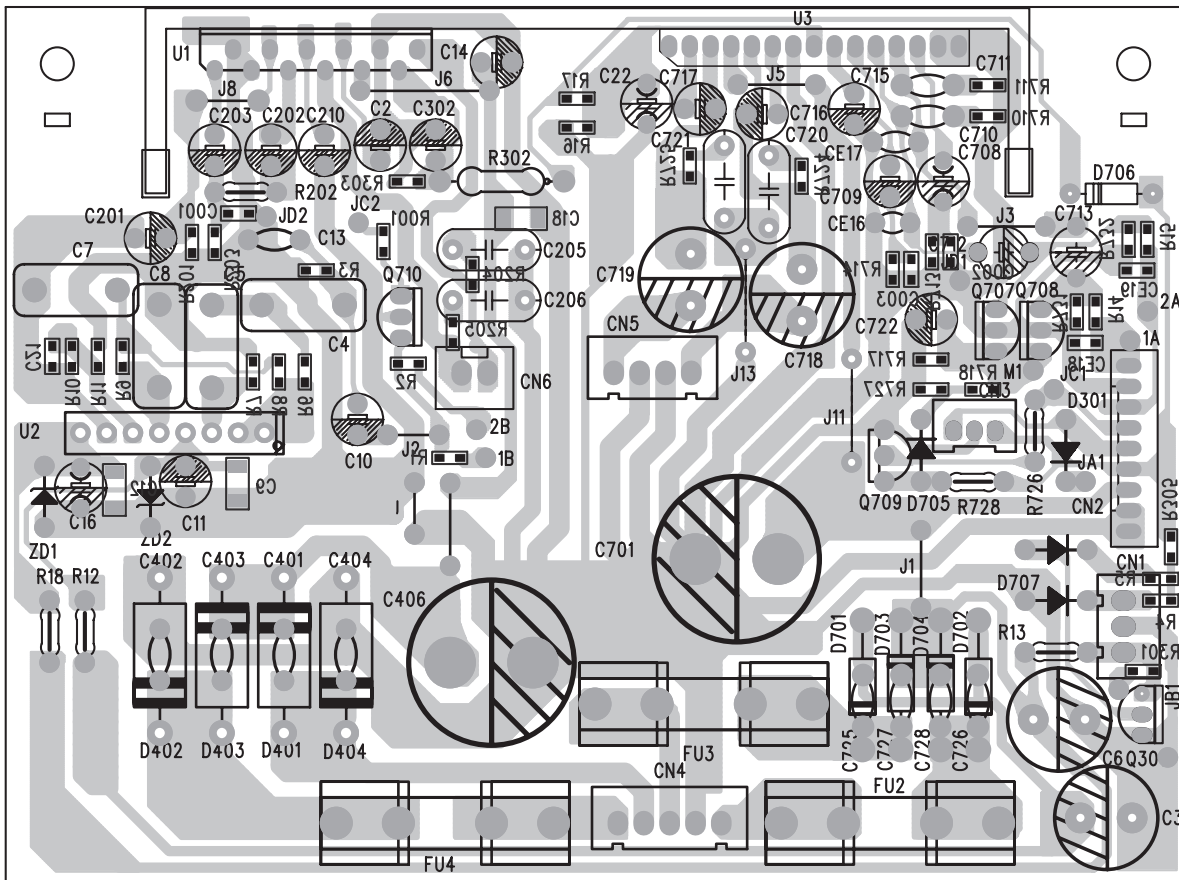
REF.NO	PARTS NO.	DESCRIPTION	REMARKS
	05-DX33S3000000	PCBA-CD	
	48-30DX33B00220	CD PCB 94HB 101x97x1.6mm	
CN2	43-022100212120	SMD F.F.C WAFER 1mm 12P 90C (BLACK)	
CN5,6	43-022200120120	WAFER 2mm 2P 90C	
CN801	43-022100216220	F.F.C.WAFER 1mm 16P 90C	
CN802	43-012150160320	WAFER 1.5mm 6P 180C (DA23 & SAMSUNG CD)	
CN803	44-565324056720	3+3P SHIELD/WIRE L=240mm HSG+TML/90C(2)	
CN806,810	43-022200120120	WAFER 2mm 2P 90C	
CN808	44-315325052520	2P WIRE L=250mm HSG(2)x1 (UL1007#26)	
D800	12-1N5819000021	RECTIFIER DIODE 1N5819	
D801	12-011430320125	ZENER DIODE +-5% 4.3V 1/2W (T=52mm)	
IC801	16-LC78690N0121	IC (SANYO) LC78690NW-LR-UHK-E (SQFP80)	
IC802	16-LA6548000121	IC (SANYO) LA6548NHL-TE-L-E	
IC803	16-LB1641000021	IC (SANYO) LB1641	
IC804	16-KA7806000121	IC (SAMSUNG) KA7806E (TO-220)	
L801,802	38-014100050020	AXIAL INDUCTOR 100UH +-10% (T=52mm)	
Q801	11-9015C0000021	PNP TRANSISTORS 9015C	
Q802	11-2SB764E00021	TRANSISTORS 2SB764-E (SANYO)	
X801	31-048169310120	RESONATOR 16.93MX (2PIN) (C1=C2=25PF)	

MC-DX33

SWITCH PCB



POWER PCB



SWITCH PCB 1 ASSY

REF.NO	PARTS NO.	DESCRIPTION	REMARKS
CN601	48-23DX33B00220	SWITCH PCBA DOOR OPEN SENSOR	
	44-335280052720	SWITCH PCB (1) 94HB 20x11.4x1.6mm	
	41-071200010020	2P RAINBOW WIRE80mm HSG(2)x1 (UL1007#30) SERIES MICRO SWITCH SD-007A	

SWITCH PCB 2 ASSY

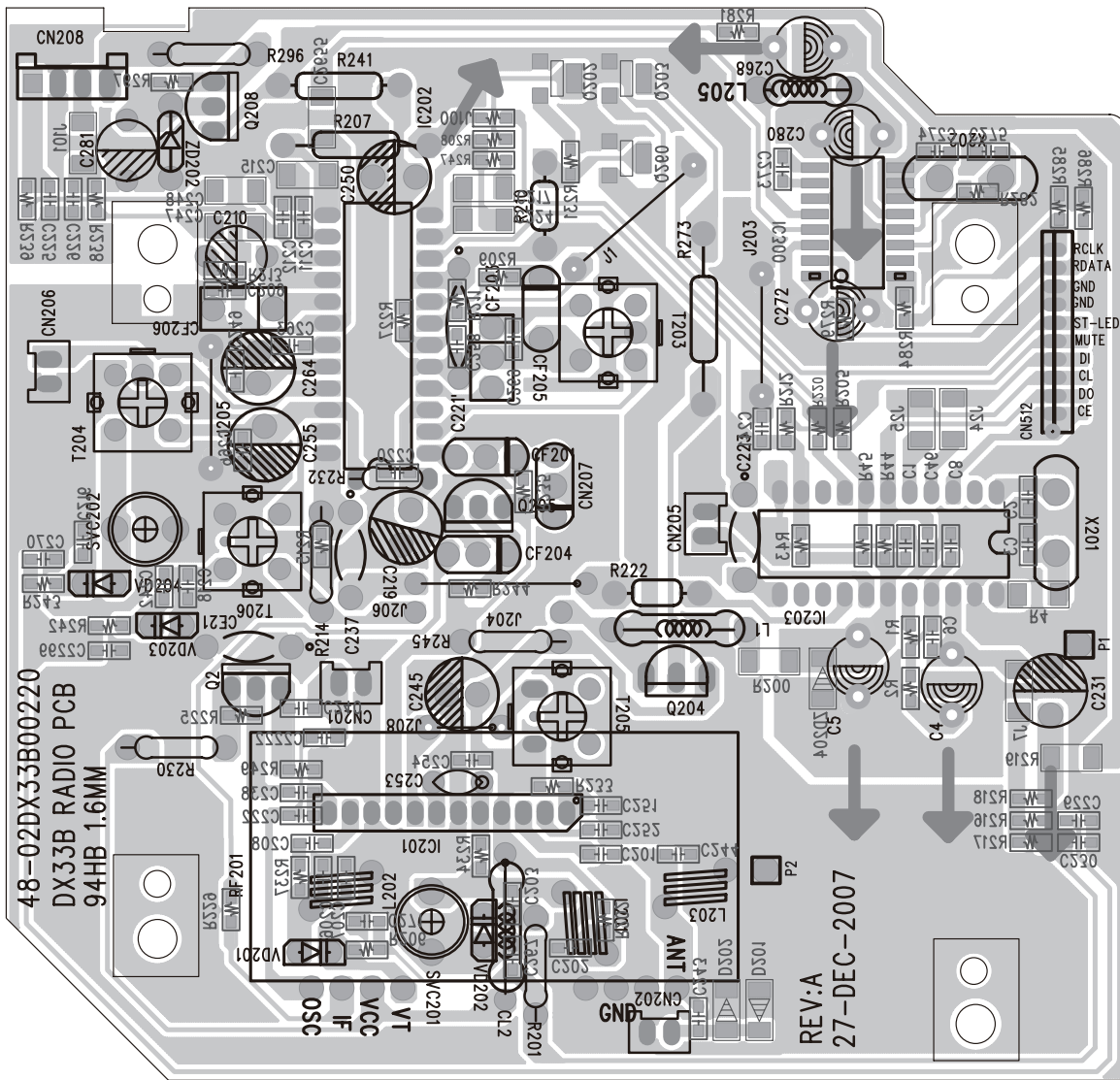
REF.NO	PARTS NO.	DESCRIPTION	REMARKS
CN601A	48-23DX33B01220	SWITCH PCBA DOOR CLOSE SENSOR	
	44-335280052720	SWITCH PCB (2) 94V0 20x11.4x1.6mm	
	41-071200010020	2P RAINBOW WIRE80mm HSG(2)x1 (UL1007#30) SERIES MICRO SWITCH SD-007A	

POWER PCB ASSY

REF.NO	PARTS NO.	DESCRIPTION	REMARKS
C406,701 C718,719 CN1	05-DX33S0700000	POWER PCBA-SUB.	
	48-07DX33B00120	POWER (AMP) PCB 94V0 115x85x1.6mm	
	△ 26-017470950111	E.CAP 4700UF 35V +-20% (PH) 85C	
	△ 26-017100750121	E.CAP 1000UF 16V +-20% 105C	
	43-012250130120	WAFER 2.5mm 3P 180C	
CN2	43-012200190120	WAFER 2mm 9P 180C	
CN3	43-012200130120	WAFER 2mm 3P 180C	
CN4	43-012250150120	WAFER 2.5mm 5P 180C	
CN5	43-012250140120	WAFER 2.5mm 4P 180C	
CN6	43-012250120120	WAFER 2.5mm 2P 180C	
D301,706	12-1N40010000P1	RECTIFIER DIODE 1N4001 (T=52mm)	
D701~704	△ 12-1N5401000021	RECTIFIER DIODE 1N5401 3A 100V	
D705,707	12-1N4148000125	DIODE 1N4148 (T=52mm)	
D708,ZD1,ZD2	12-011390320125	ZENER DIODE +-5% 3.9V 1/2W (T=52mm)	
FU2,FU3	△ 46-055350300010	GLASS FUSE 5x20mm T3.5A/250V UL/CSA/JIS	
FU4	△ 46-055400300010	GLASS FUSE 5x20mm T4A/250V S506	
Q301	11-9014C0000021	NPN TRANSISTORS 9014C	
Q707.708,710	11-2SD1936T0021	TRANSISTORS 2SD1936T-SSH (SANYO)	
D401~404	△ 12-1N5401000021	RECTIFIER DIODE 1N5401 3A 100V	
U1	16-TA8216H00021	IC (TOSHIBA) TA8216H	
U2	16-NJM4558L0021	IC (NJRC) NJM4558L	
U3	16-BA5417000021	IC (ROHM) BA5417	

MC-DX33

TUNER PCB

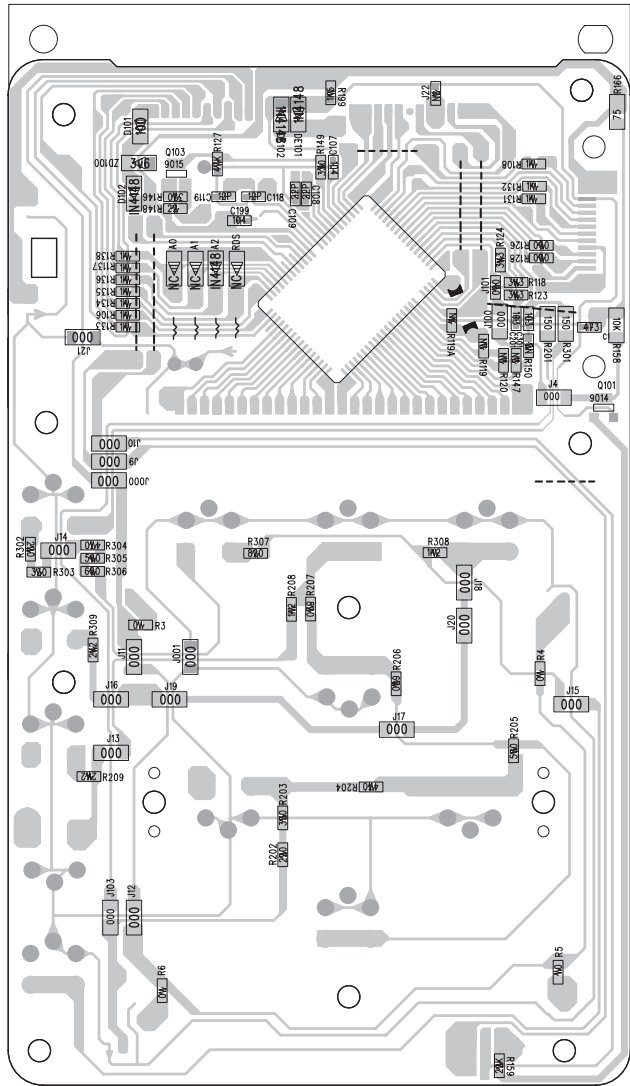
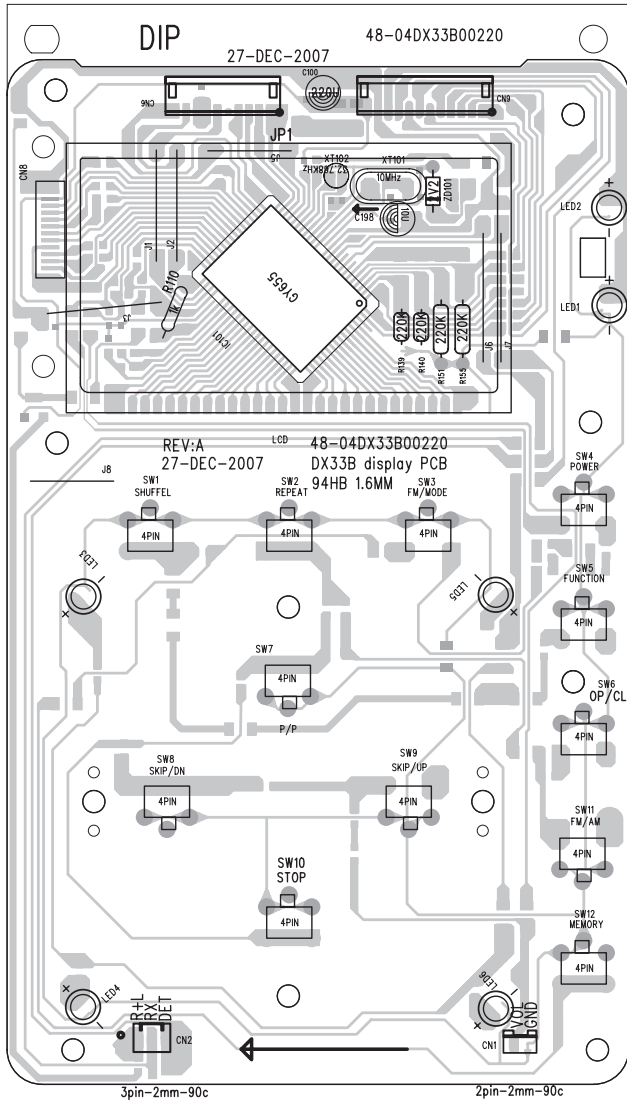


TUNER PCB ASSY

REF.NO	PARTS NO.	DESCRIPTION	REMARKS
	05-DX33S0200000	PCBA-TUNER	
	48-02DX33B00220	TUNER PCB 94HB 88.5x92x1.6mm	
CL2	38-013100050120	AXIAL INDUCTOR 10UH +-10% 350mA EC-24	
CF201	31-028107001120	CERAMIC FILTER LT10.7MSC10-A(3PIN)(RED)	
CF203	31-026450010110	CERAMIC FILTER (MURATA) SFU450B	
CF204	31-028107001120	CERAMIC FILTER LT10.7MSC10-A(3PIN)(RED)	
CF205	31-038107020120	DISCRIMINATOR FILTER JT10.7MG46-A (2PIN)	
CF206	31-046456000220	RESONATOR ZTB456F15	
CN201	44-555260052620	2P COAXIAL CABLE L=60mm TML(2)x2 AA	
CN202,205,206	43-012200120120	WAFER 2mm 2P 180C	
CN207	31-028107001020	CERAMIC FILTER LT10.7MJC10-A(3PIN)(RED)	
CN512	43-022150210120	WAFER 10P 1.5mm 90C	
C281	12-1N4148000021	DIODE 1N4148	
D201,D202	12-1N41480000P1	SMD DIODE 1N4148 (1206)	
IC202	16-LA1832000021	IC (SANYO) LA1832L-E (DIP)	
IC203	16-LC7213100021	IC (SANYO) LC72131	
IC300	16-BU1924F00021	IC (ROHM) BU1924F	
L205,L1,R241	38-014100050120	AXIAL INDUCTOR 100UH +-10% 275mA EC-36	
Q202,203,260	11-KTC9014S0025	SMD TRANSISTORS KTC9014S-C (KEC)	
Q204	11-9015C0000021	PNP TRANSISTORS 9015C	
Q205	11-9018G0000021	TRANSISTORS 9018G	
Q208	16-LM78L0600021	IC (LIBERAL) LM78L06	
T203	40-02A049004020	I.F.T 7mm A049 (YELLOW)	
T204	40-023120000020	I.F.T 7mm 312A (BLACK)	
T206	40-02660R002020	I.F.T 7mm 660R (RED)	
SVC202	27-501602202020	TRIMMER 20PF 6mm (RED)	
VD203	12-SVC321SPA021	VARACTOR DIODE (SANYO) SVC321SPA	
VD204	12-SVC321SPA021	VARACTOR DIODE (SANYO) SVC321SPA	
X201	31-017450002010	CRYSTAL 4.500MHZ HC-49/US	
X202	31-017433202120	CRYSTAL 4.332MHZ HC-49/US +-20PPM	
ZD204	12-011390321625	SMD ZENER DIODE PDZ3.9B (934054849115)	

MC-DX33

DISPLAY PCB

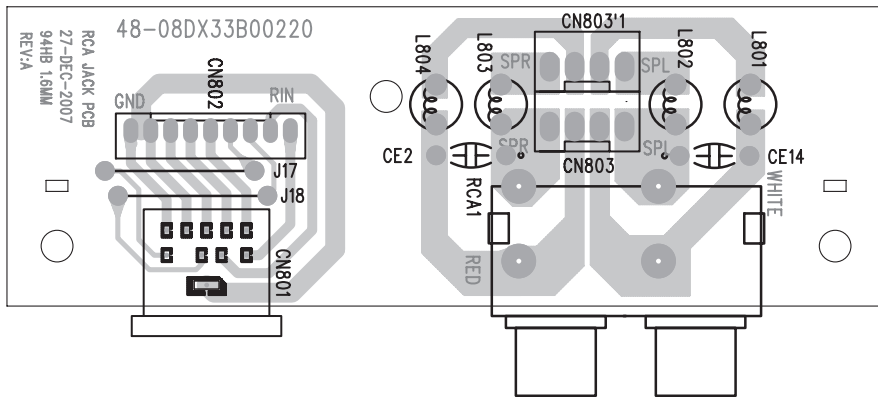


DISPLAY PCB ASSY

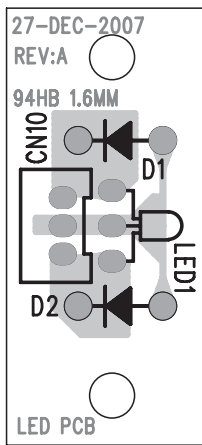
REF.NO	PARTS NO.	DESCRIPTION	REMARKS
	05-DX33S0400000	PCBA-DIS "MCDX333S" EUR	
	48-04DX33B00220	DISPLAY PCB 84HB 147.5x89.5x1.6mm	
CN1	43-022200120120	WAFER 2mm 2P 90C	
CN2	43-022200120120	WAFER 2mm 2P 90C	
CN8	43-022100212221	SMD F.F.C WAFER 1mm 12P 90C W/TOP LOCK	
CN6,9	43-022150210120	WAFER 10P 1.5mm 90C	
D102,A2,DE101,DE102	12-1N41480000P1	SMD DIODE 1N4148 (1206)	
IC101	16-GY6550000021	MCU GY655 GENNY (80PIN QFP80)	
LCD	13-05DX33B00020	LCD DISPLAY SDH-DA1744-TN-1 W/RDS	
LED1,LED2	13-011200121020	LED LAMP 2x4mm (WHITE) LF244W3CJ-1A/01/P	
LED3,LED4,LED5,LED6	13-011206022020	LED LAMP 2x4mm (BLUE)LF243B2CJ-2C-01	
Q103	11-KTC9015S0025	SMD TRANSISTORS KTC9015S-C (KEC)	
SW1,2,3,4,5,6,7,8,9,10,11,12	41-150010050020	TACT SWITCH 6x6mm 5mm (250g+-20g)4LEGS	
XT101	31-018100002120	CRYSTAL 10MHz 49/US	
XT102	31-015320003310	CRYSTAL 32.768KHZ (3x8mm)+-20PPM	
ZD100	12-0111360320825	SMD ZENER DIODE +-5% 3.6V 1/2W (LL34)	
ZD101	12-011220320125	ZENER DIODE +-5% 2.2V 1/2W (T=52mm)	

MC-DX33

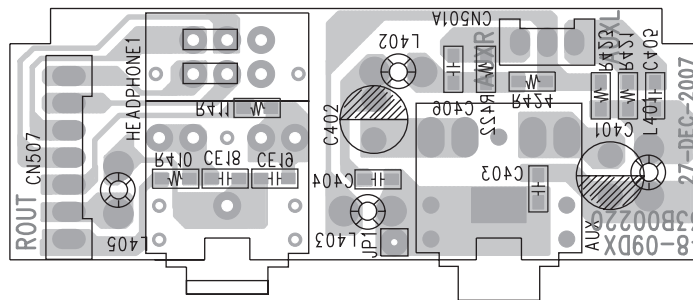
RCA JACK PCB



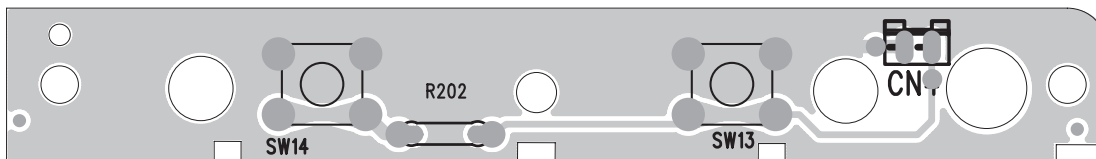
LED PCB



AUX PCB



VOL PCB



RCA JACK PCB ASSY

REF.NO	PARTS NO.	DESCRIPTION	REMARKS
	05-DX33S0800000	RCA/D-S JACK PCBA	
	48-08DX33B00220	RCA JACK PCB 94HB 88x30x1.6mm	
CN801	43-462103003321	D-S TERMINAL #DSW-31 R1	
CN802	43-012150160320	WAFER 1.5mm 6P 180C (DA23 & SAMSUNG CD)	
CN803	44-316315054320	4P WIRE L=150mm HSG(2.5)x1 (UL1007#22)	
L801,802,803,804	38-103100050320	CHOKO COIL 10UH +-10% D6x8mm 1A	

LED PCB ASSY

REF.NO	PARTS NO.	DESCRIPTION	REMARKS
		LED PCB ASSY	
	48-16DX33B00220	LED PCB 94HB 31x14x1.6mm	
D001	12-1N414800021	DIODE 1N4148	
D002	13-011309022020	LED LAMP 3mm(ORANGE/BLUE)LA309A2B2MA-C1	

AUX PCB ASSY

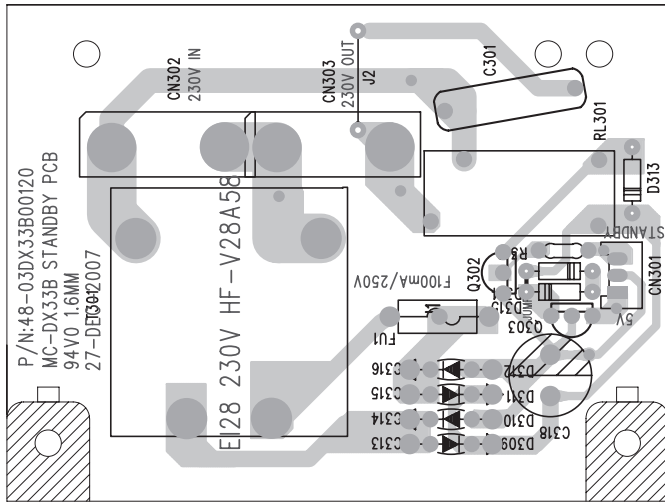
REF.NO	PARTS NO.	DESCRIPTION	REMARKS
	05-DX33B0900000	HP PCBA "BLK"	
	48-09DX33B00220	HP JACK PCB 94HB18.5x51.6x1.6mm	
CN501A	44-565328053621	3P SHIELD WIRE L=280mm HSG+TML(2) (GREY)	
CN507	44-535310057720	7P RAINBOW WIRE 100mm HSG+TML(2) AA	
J001	43-431360002020	PHONE JACK D3.6mm TC38-060-01 BLK RING	
J002	43-431360003020	PHONE JACK 3.6mm TC38-063-05-01 BLK RING	
L401,402	38-013100050120	AXIAL INDUCTOR 10UH +-10% 350mA EC-24	
L403	32-031351600025	FERRITE BEAD 3.5x6x0.8TB (TAPING)	

VOL PCB ASSY

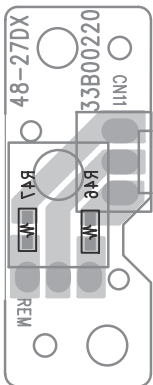
REF.NO	PARTS NO.	DESCRIPTION	REMARKS
	05-DX33S1900000	PCBA-VOL "MCDX33S" EUR	
	48-19DX33B00220	VOLUME PCB 94HB 84x11.5x1.6mm	
CN4	44-535250052620	2P RAINBOW WIRE 50mm TML/90C+HSG(2)	
SW13,14	41-150010050020	TACT SWITCH 6x6mm 5mm (250g+-20g)4LEGS	

MC-DX33

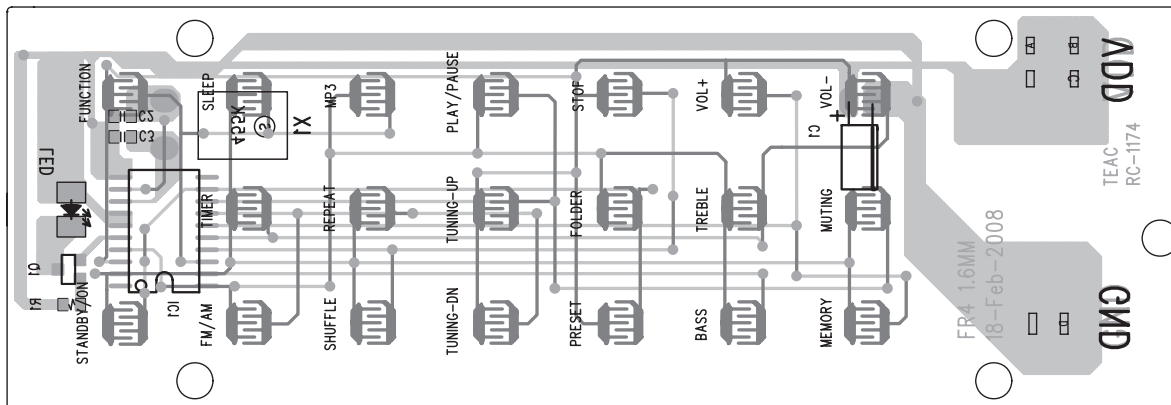
STANDBY PCB



SENSOR PCB



REMOTE CONTROL PCB



STANDBY PCB ASSY

REF.NO	PARTS NO.	DESCRIPTION	REMARKS
	05-DX33S0300000	PCBA-STANDBY	
	48-03DX33B00120	STANDBY PCB 94V0 60x80x1.6mm	
RL301	46-50MC23000000	RELAY ME-7-009 HL(MASSUSE) 9V 10A 6.75V	
CN301	43-012200130120	WAFER 2mm 3P 180C	
FU1	△ 46-074100300020	SUBMINIATURE FUSE D8.5xH8mm 100mA/250V	
Q302	11-9014C0000021	NPN TRANSISTORS 9014C	
Q303	16-LM78L0500121	IC (LIBERAL) LM78L05 (933510720676)	
T301	18-205DX0150190	TRANSFORMER EI28 230V HF-V28A58	
D309,310,311,312	12-1N4001000021	RECTIFIER DIODE 1N4001 1A 50V	

SENSOR PCB ASSY

REF.NO	PARTS NO.	DESCRIPTION	REMARKS
	05-DX33S2700000	SENSOR PCBA	
	48-27DX33B00220	SENSOR PCB 94HB 30.5x11.7x1.6mm	
	17-05FM60380012	OPTIC SENSER (OPTO..) FM-6038TM2-5AN	
CN11	44-335250053620	3P RAINBOW WIRE 50mm HSG(2)x1 UL1007#28	

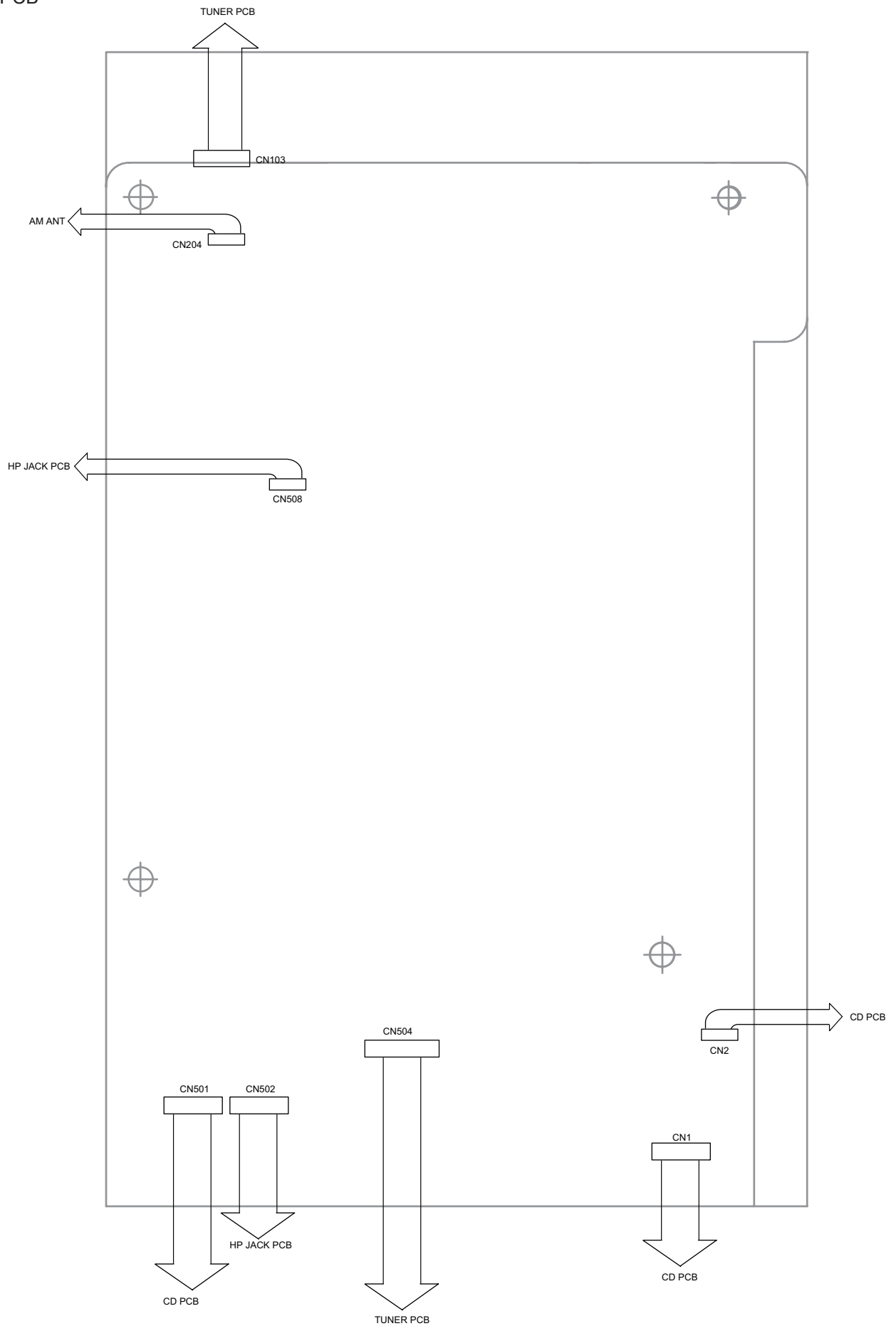
REMOTE CONTROL PCB ASSY

REF.NO	PARTS NO.	DESCRIPTION	REMARKS
	05-DX33S1300000	PCBA-RC "MCDX33S"	
	48-13DX33B00320	REMOTE PCB FR4 123.5x42.6x1.6mm	
IC1	16-PT2221000021	IC (ANGUS) PT2221-001	
LED1	13-021300020020	INFRARED LED 3mm	
Q1	11-MMBT39040221	SMD TRANSISTORS MMBT3904 SOT23	
X1	31-046455000120	RESONATOR S455E	

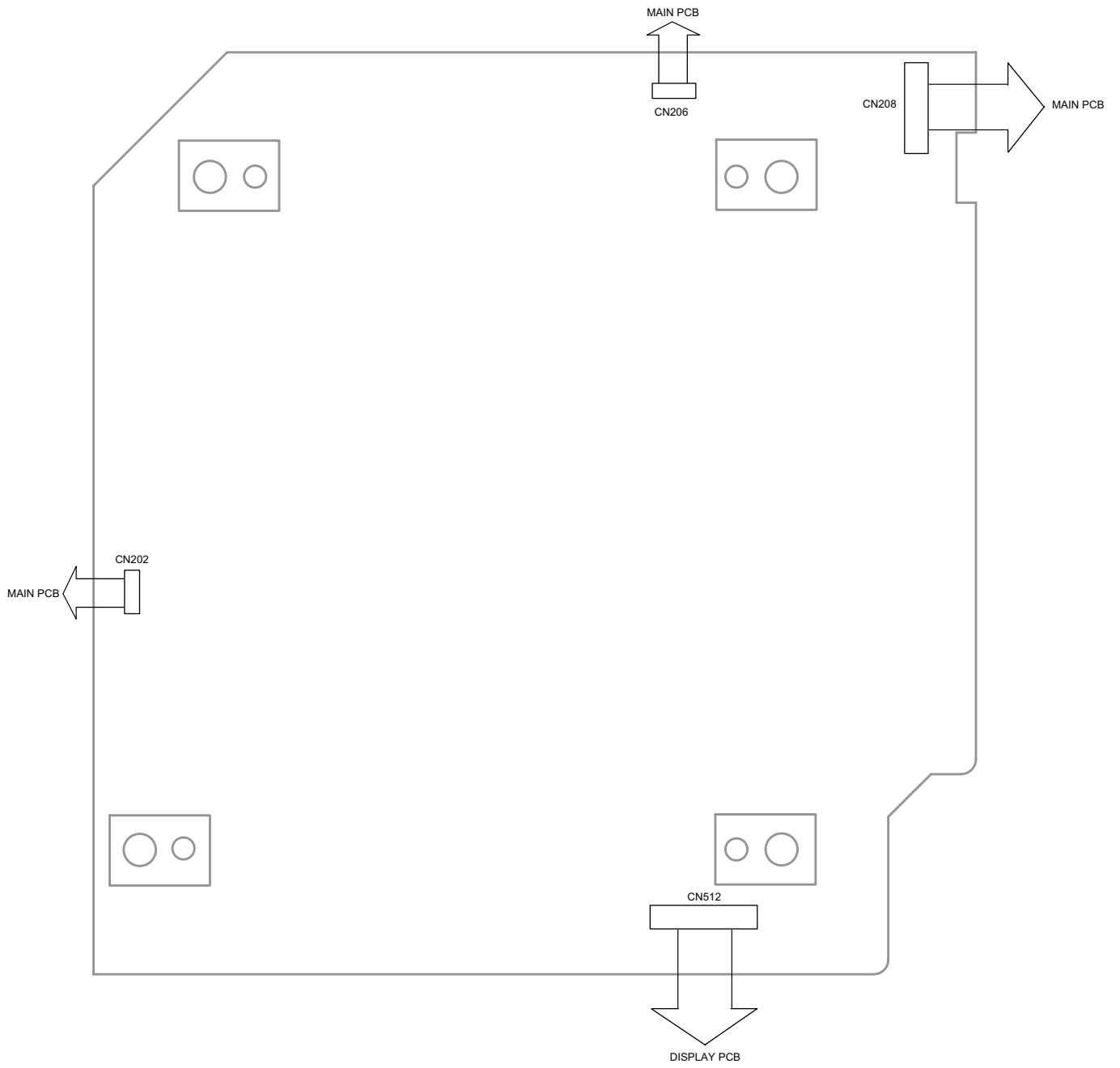
MC-DX33

6 WIRING DIAGRAM

MAIN PCB

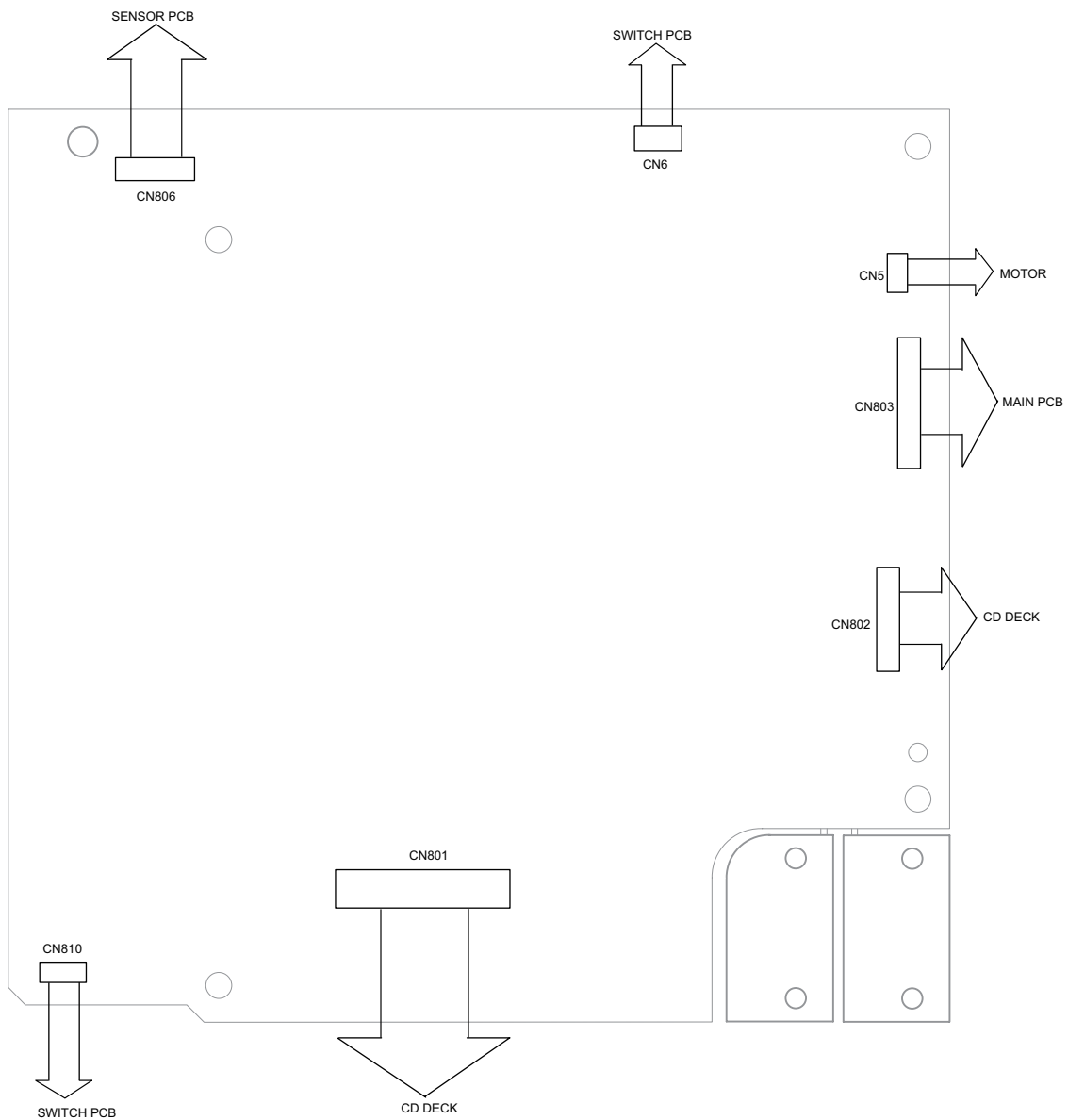


TUNER PCB



MC-DX33

CD PCB



7 INCLUDED ACCESSORIES

INCLUDED ACCESSORIES

PARTS NO.	DESCRIPTION	REMARKS
77-20DX33S00020	OWNER'S MANUAL (E/F/S)	
77-20DX33S00120	OWNER'S MANUAL (G/I/N)	
77-21DX33S00020	QUICK GUIDE FOR CONNECTION (E)	
77-21DX33S00120	WALL MOUNTING SHEET (E)	
45-194150000020	FM antenna L=1.5M "CE/ 5" #STV8-1H-1500	
32-07DX22000020	AM LOOP ANTENNA (8T 2.5/L1M)	
45-244200059120	Subwoofer cable, 9 PIN S TERMINAL BLACK	
45-244200059010	Subwoofer cable, 9 PIN S TERMINAL GREY f/SILVER	
45-164250051120	Speaker cable, 1 PIN BLACK w/WHITE RCA PULGS	
45-164250151120	Speaker cable, 1 PIN BLACK w/RED RCA PULGS	
45-164250051020	Speaker cable, 1 PIN GREY w/2 WHITE RCA PULGS f/SILVER	
45-164250151020	Speaker cable, 1 PIN GREY w/2 RED RCA PULGS f/SILVER	
45-263500000220	Mini plug cable, CONNECT CORD 3.5 ST/PLUGS BLACK	
45-263500000120	Mini plug cable, CONNECT CORD 3.5 ST/PLUGS WHITE f/SILVER	
61-11DX22000320	Wall mount bracket STEEL BRACKET 83 x 20 x 1.6 BLACK	
61-11DX22000020	Wall mount bracket STEEL BRACKET 83 x 20 x 1.6 SILVER	
66-120526210321	Screw (short), MACHINE MS/KH 2.6 X 10mm	
66-140230220321	Screw (long), SELF-TAPPING TA/BH 3 X 20mm	
56-62A150002000	Tapered plastic wall anchor, SCREW SPACE (ABS) 23 x 8 (RED)	
51-021301000080	BATTERY, LITHIUM CR2032 (GP)	
02-170DX33B1000	REMOTE CONTROL RC-1174 (SLV/BLK) f/BLACK	
02-170DX33S1000	REMOTE CONTROL RC-1174 SILVER	

MC-DX33

TEAC

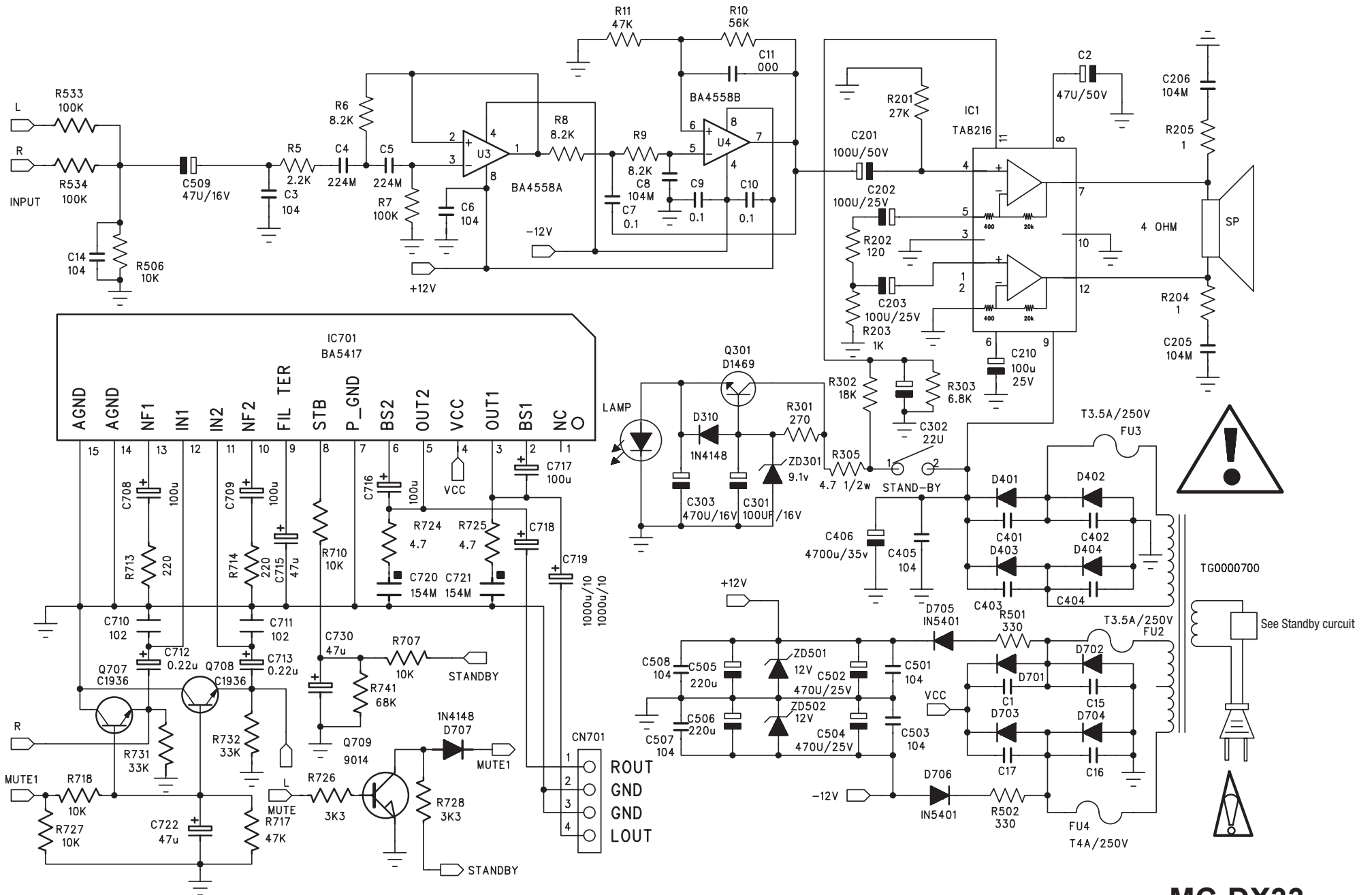
SKTE-SM0805001

TEAC CORPORATION	1-47, Ochiai, Tama-shi, Tokyo 206-8530, Japan Phone: (042) 356-9155
TEAC AMERICA, INC.	7733 Telegraph Road, Montebello, California 90640 Phone: (323) 726-0303
TEAC CANADA LTD.	5939 Wallace Street, Mississauga, Ontario L4Z 1Z8, Canada Phone: (905) 890-8008
TEAC MEXICO, S.A. De C.V	Río Churubusco 364, Colonia Del Carmen, Delegación Coyoacán, CP 04100, México DF, México Phone:(5255)5010-6000
TEAC UK LIMITED	Unit 19 & 20, The Courtyards, Hatters Lane, Watford, Hertfordshire, WD18 8TE, U.K. Phone: (0845) 130-2511
TEAC EUROPE GmbH	Bahnstrasse 12, 65205 Wiesbaden-Erbenheim, Germany Phone: 0611-71580

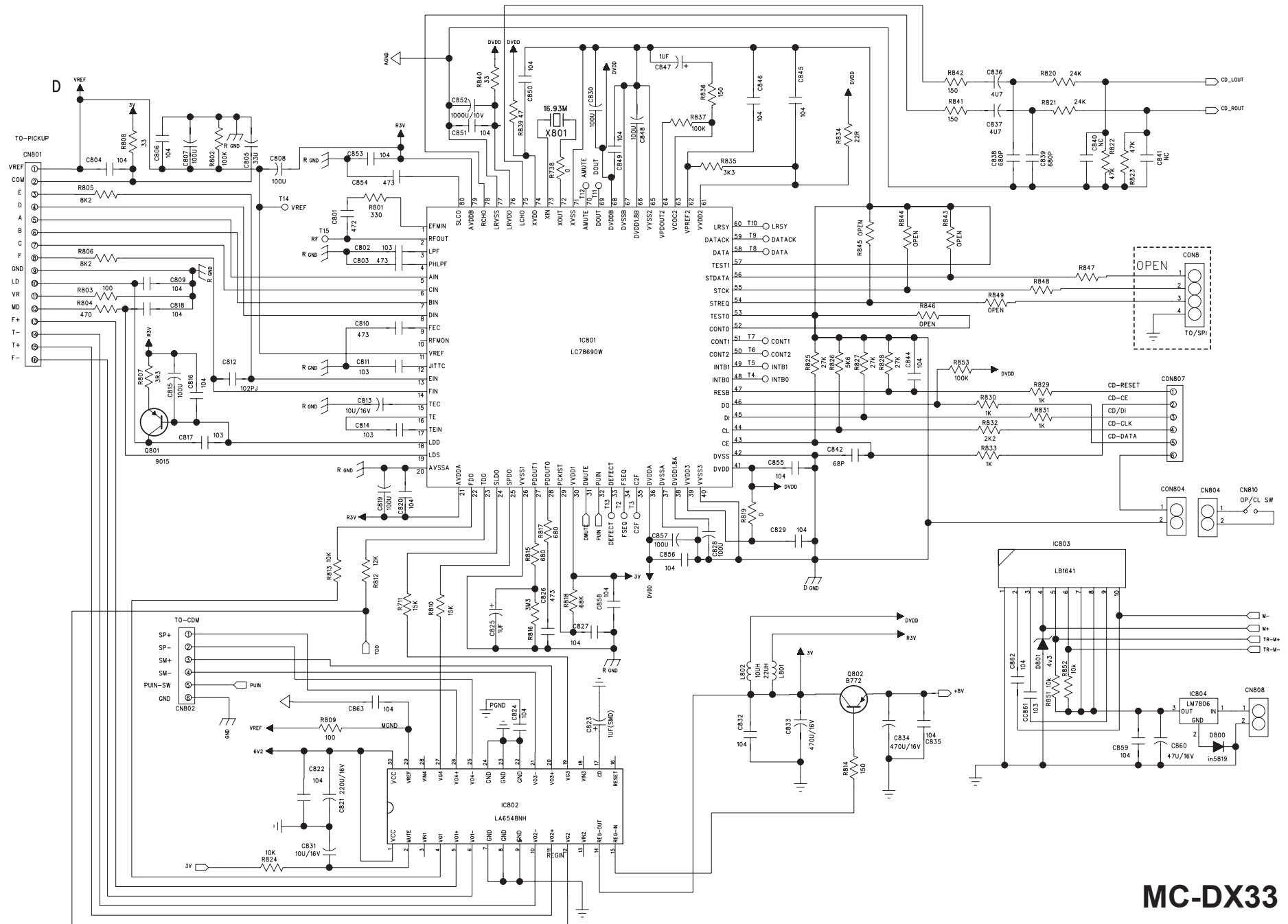
MAY 2008

PREPARED IN CHINA

Power+SUB PCB



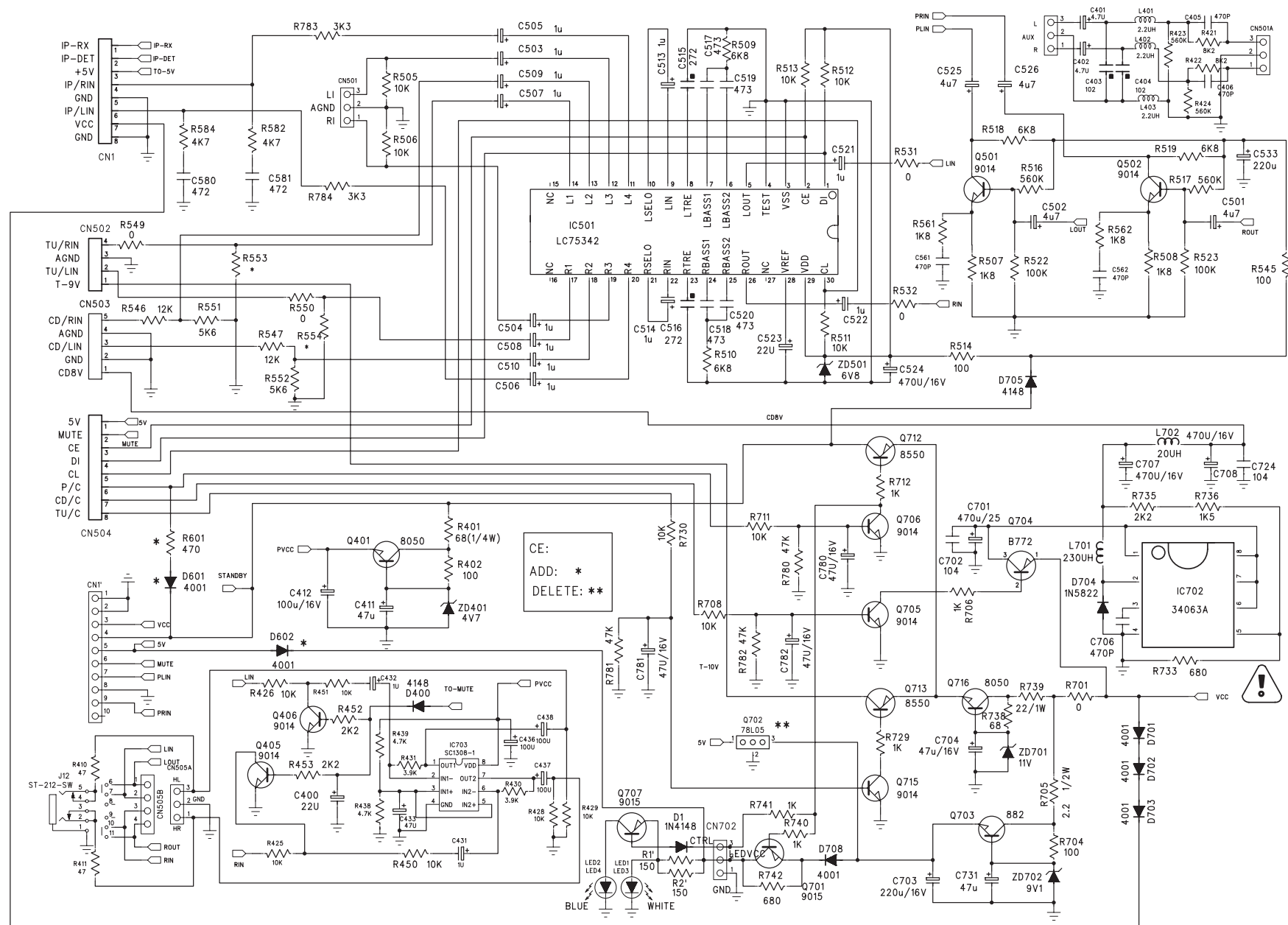
MC-DX33
Micro Hi-Fi system



MC-DX33

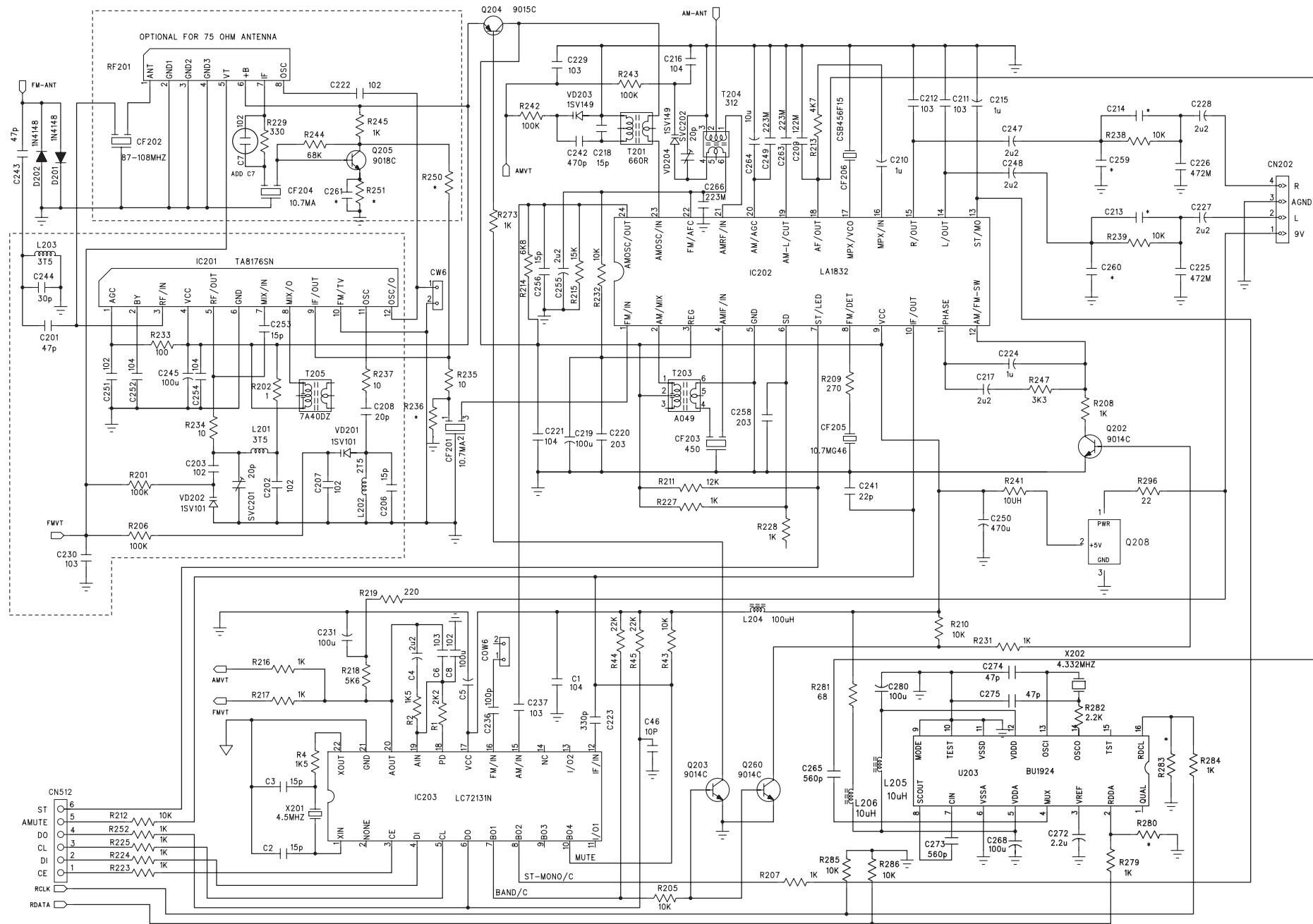
Micro Hi-Fi system

MAIN PCB



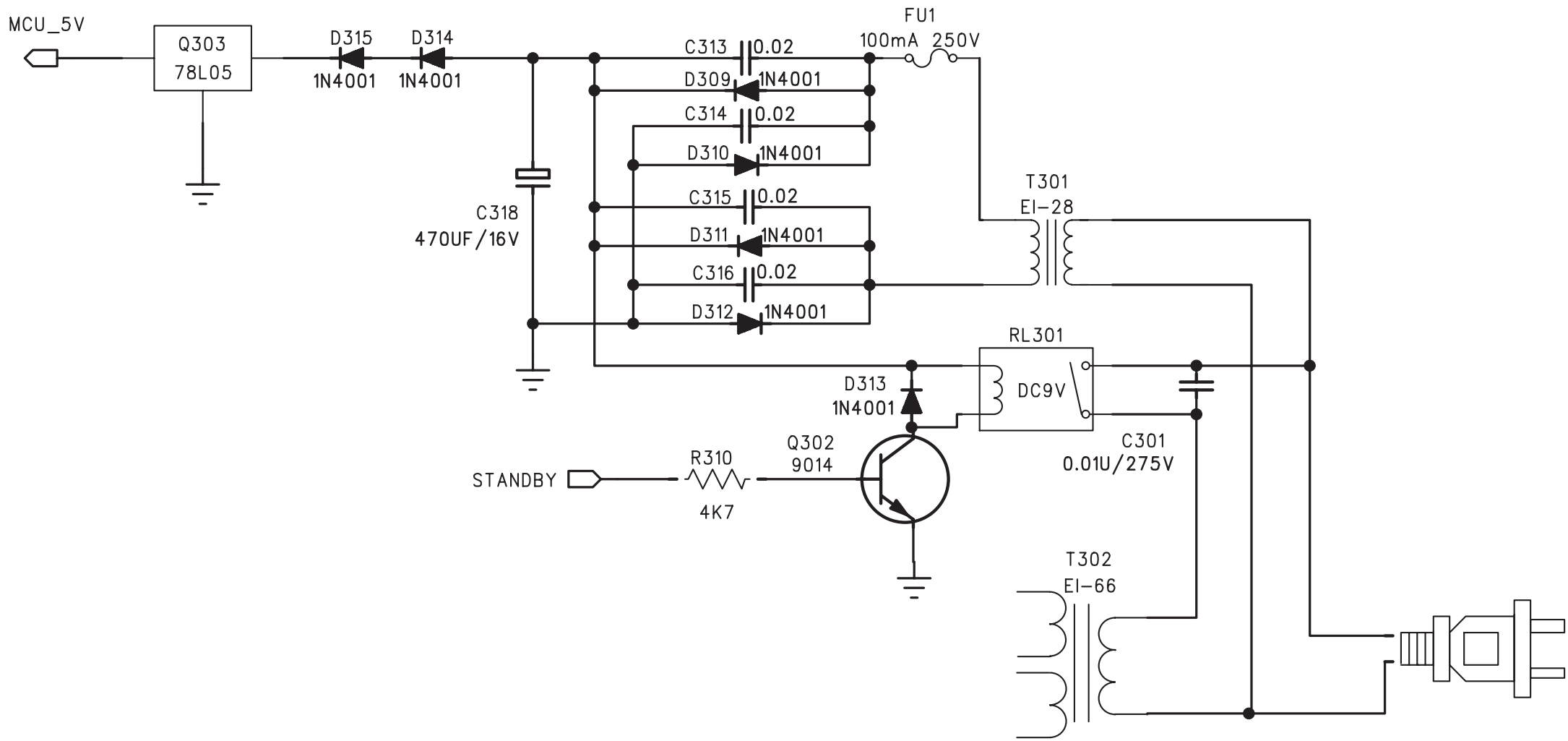
MC-DX33
Micro Hi-Fi system

TUNER PCB



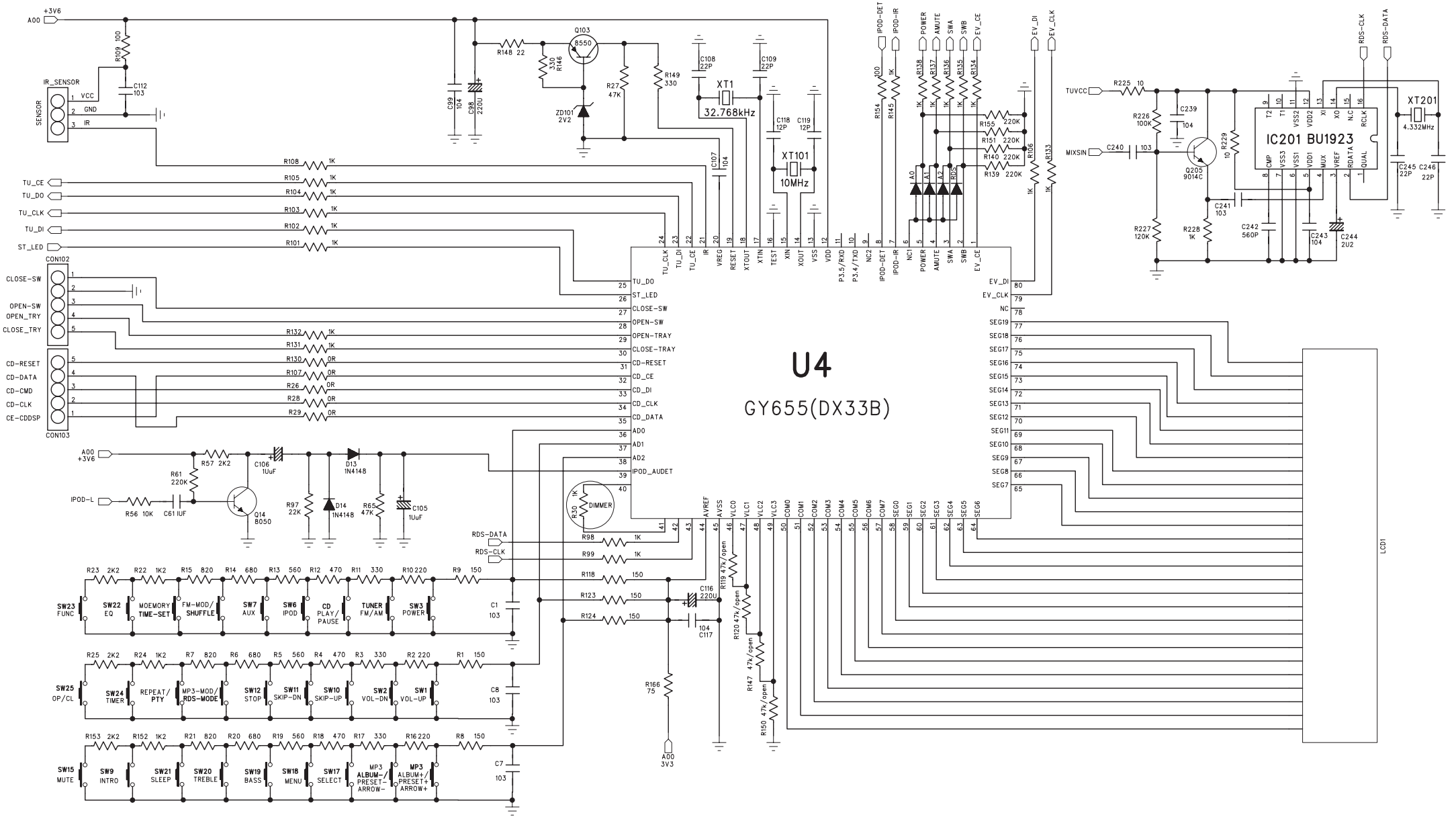
MC-DX33
Micro Hi-Fi system

STANDBY PCB



MC-DX33
Micro Hi-Fi system

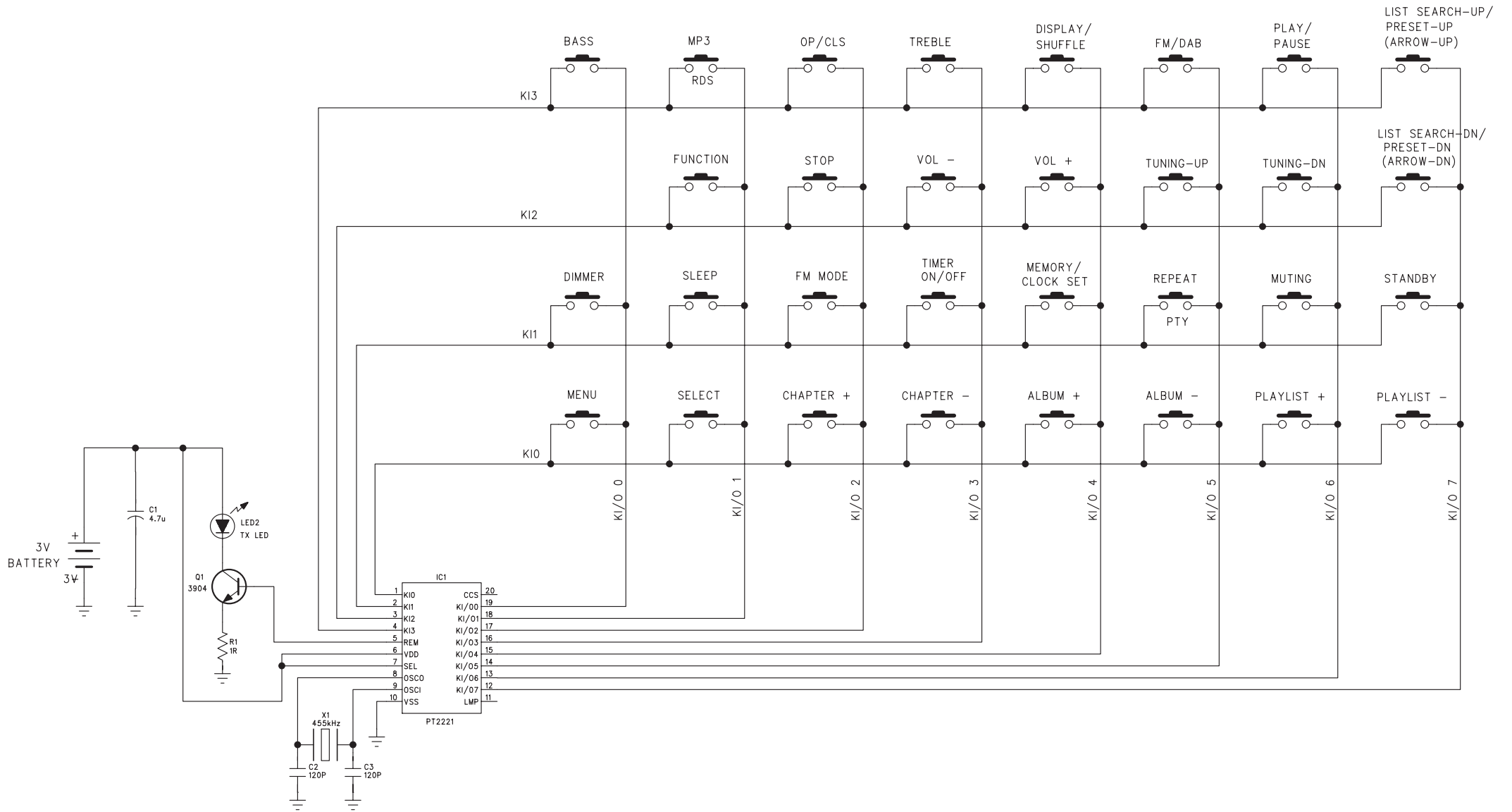
MCU SCHEMATIC



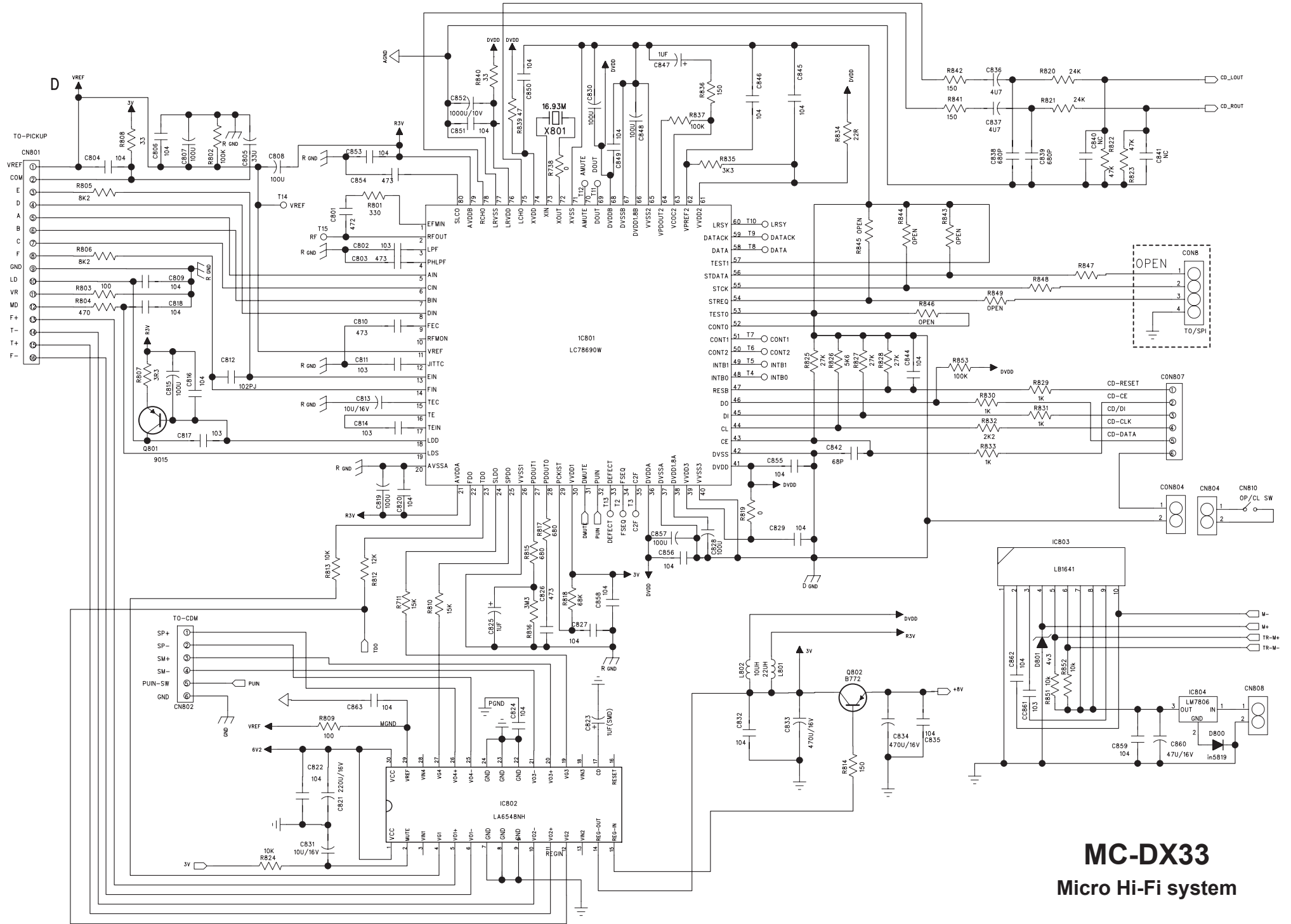
U4
GY655(DX33B)

MC-DX33
Micro Hi-Fi system

MAIN PCB



MC-DX33
Micro Hi-Fi system



MC-DX33

Micro Hi-Fi system